



GE[®] Silver series



GE® in silver.



Take advantage of this unique, versatile and attention-getting design option—choose GE in silver.

Offers a striking contemporary look

- Unique silver finish complements any kitchen décor, countertop and cabinetry regardless of their color or finish
- Full line of appliances offers a distinct design advantage

Take advantage of this durable design option

- Silver finish resists fingerprints and is easy to wipe clean
- Refrigerators hold magnets for everyday convenience

Enhance the look of your kitchen with the look of silver

- Coordinates with other appliance colors
- The look of stainless steel without the price



GE Silver series line-up



GE 16.6 cu. ft. top-freezer refrigerator
GTJ17BCTSA

- Upfront temperature controls—a simple knob turn regulates interior temperatures
- Factory-installed icemaker—includes an internal icemaker
- Gallon door storage—offers ideal space for storing containers in the door
- Crisper drawers—sealed crispers help foods stay fresh
- Adjustable wire shelves—moveable racks can handle a variety of foods
- NeverClean™ condenser—sealed compartment keeps coils clean
- Deluxe quiet design—significantly reduces operating noise



GE 18.2 cu. ft. top-freezer refrigerator
GTJ18XCTSA

- Adjustable glass shelves—flexible and easy to clean
- Upfront temperature controls—a simple knob turn regulates interior temperatures
- Factory-installed icemaker—immediately ready to make ice
- Crisper drawers—sealed crispers help foods stay fresh
- Gallon door storage—offers ideal space for storing containers in the door
- NeverClean condenser—sealed compartment keeps coils clean
- Deluxe quiet design—significantly reduces operating noise

GE® Silver series line-up (cont.)



GE 30" free-standing electric range JB620GRSA

- Self-clean oven—cleans the oven cavity without the need for scrubbing
- Super-large 5.3 cu. ft. oven capacity—enough room to cook an entire meal at once
- QuickSet III oven controls—electronic touch pads on the control panel make controlling your oven effortless
- Ceramic-glass cooktop—smooth cooktop easily wipes clean
- Big hearth window—makes monitoring of foods easy
- Dual element bake—upper and lower elements produce even heat and great results

GE 30" free-standing electric range JBP28GRSA*

- Self-clean oven—cleans the oven cavity without the need for scrubbing
- Super-large 5.3 cu. ft. oven capacity—enough room to cook an entire meal at once
- TrueTemp™ oven system—even heat distribution and maximum oven control
- QuickSet IV oven controls—electronic touch pads on the control panel make controlling your oven effortless
- Coil heating elements—removable elements provide even heat and are easy to clean
- Big hearth window—makes the monitoring of foods easy
- Dual element bake—upper and lower elements produce even heat and great results

GE 30" free-standing electric range JBS07SPSA

- Extra-large 5.0 cu. ft. oven capacity—enough room to cook an entire meal at once
- Coil heating elements—removable elements provide even heat and are easy to clean
- ClearView™ window—clear window makes monitoring food simple
- Frameless glass oven door—simple, stylish and easy to clean
- Clean-Well™ cooktop system—ensures spills are properly contained
- Chrome drip bowls—contain spills and remove for easy cleaning

*Available August 2010.



GE 30" free-standing gas range
JGBP25GERSA**

- Extra-large 4.8 cu. ft. oven capacity—enough room to cook an entire meal at once
- Self-clean oven—cleans the oven cavity without the need for scrubbing
- QuickSet III oven controls—electronic touch pads on the control panel make controlling your oven effortless
- All-purpose burners—deliver a wide range of heat output for most cooking needs
- Sealed cooktop burners—contain spills and make cleaning quick and easy



GE 30" free-standing gas range
JGBS18GERSA*

- Extra-large 4.8 cu. ft. oven capacity—enough room to cook an entire meal at once
- Standard clean oven—smooth surface and rounded corners make clean-up quick and easy
- All-purpose burners—deliver a wide range of heat output for most cooking needs
- Sealed cooktop burners—contain spills and make cleaning quick and easy
- Frameless glass oven door—simple, stylish and easy to clean
- Electronic clock and timer—convenient clock and timer helps you coordinate meal preparation and cooking



GE 30" free-standing gas range
JGBS07SEPSA

- Extra-large 4.8 cu. ft. oven capacity—enough room to cook an entire meal at once
- Standard-clean oven—smooth surface and rounded corners make clean-up quick and easy
- All-purpose burners—deliver a wide range of heat output for most cooking needs
- Standard grates—quality grates keep pots and pans securely in place over the burners
- Color-matched oven door with window—scratch-resistant coating is easy to maintain

ADA
compliant

*Available August 2010.

**Available October 2010.

GE® Silver series line-up (cont.)



GE standard hood

RN328HSA

- 30" width
- Non-vented—filters smoke and vapors through the hood's filtration system
- Variable two-speed fan control—effectively pulls smoke and vapors out of the kitchen
- Cooktop light—illuminates cooking surface below hood
- Removable grease filter—can be removed for easy cleaning and maintenance



GE Spacemaker® 1.5 cu. ft. microwave oven

JVM1540MPSA / JNM1541MPSA (non-vented model)

- 1.5 cu. ft. capacity, 950 watts (IEC-705 test procedure)
- Convenience cooking controls—operating made quick and easy
- Auto and Time Defrost—defrosting times and power levels are programmed automatically or manually for optimal results
- Recessed turntable with On/Off—rotates foods throughout the cycle
- Two-speed, 300-CFM venting system—removes smoke, steam and odors from the cooktop area
- Removable oven rack—allows you to cook large quantities of your family's favorites



GE tall tub built-in dishwasher

GLD3846TSA

- 4-level towerless wash system—2 wash arms with 4 wash levels quietly direct water onto dishes for a powerful clean
- Self-cleaning 5-stage filtration—the wash system's multiple filtration levels ensure clean dishes
- SaniWash cycle (NSF residential)—high temperature rinse sanitizes and reduces 99.999% of bacteria found on dishes
- 2/4/8-hour Delay Start—wash dishes at your convenience
- Up to 14-place setting capacity white titanium racking—holds family-sized dish loads
- 1-piece silverware basket with 1 cell cover—cell cover separates silverware and helps keep it from sticking or "nesting" together
- Audible end-of-cycle signal—alert signals when cycle is complete



GE built-in dishwasher

GSD2340RSA

- 4-level PowerScrub™ wash system—powerful wash cleans dishes thoroughly
- Piranha™ hard-food disposer—grinds food into small particles that are washed away
- HotStart™ option—provides optimal water temperature for dependable performance
- Two-stage filtration with ExtraFine™ filter—extra filtration keeps water clean
- Pots and Pans cycle—removes difficult soils from cookware
- Up to 12-place setting capacity racking—provides flexibility to wash a variety of dishes at once



Part of the family

The CleanSteel™ finish coordinates with the Silver line of appliances to enhance the overall look of any kitchen and provides optional refrigerator configurations, like side-by-side and compact top-freezer.



GE 25.3 cu. ft. side-by-side refrigerator

GSL25JFXLB

CleanSteel

- ClimateGuard system—help maintain freshness
- External temperature controls with child lock and UltraFlow⁶⁶—convenient settings also help prevent unintended use
- Adjustable-humidity crisper drawer—adjustable crisper help foods stay fresh
- Adjustable temperature deli drawer—helps keep meats and cheeses delicious
- Snack drawer—easy access storage area
- Adjustable gallon door bins—additional storage space for gallon containers
- Adjustable spillproof glass shelves—spills are contained to avoid big messes



GE 12.0 cu. ft. top-freezer refrigerator

GTL12HBXBS

CleanSteel

- Equipped for optional icemaker—automatic icemaker can be included
- Adjustable wire shelves—moveable racks can handle a variety of foods
- Fixed door shelves—provides ideal storage right inside the door
- Clear crisper drawers—see-through drawers make it easy to find favorite items
- In-the-door beverage rack—customized rack keeps cans organized for easy access
- Wire freezer shelves—stable surface is ideal for freezer items

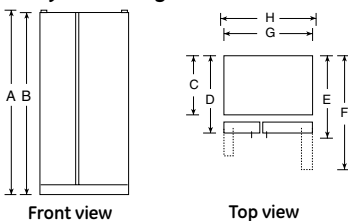
Features

Side-by-side refrigerator

	GE® "J" Series GSL25JFX GSL22JFX
ENERGY STAR® qualified	●
ADA compliant	●
Capacity	
Total (cu. ft.)	25.3 / 22.1
Fresh food (cu. ft.)	15.50 / 14.89
Freezer (cu. ft.)	9.75 / 7.22
Shelf area (sq. ft.)	23.09 / 21.83
Fresh food features	
ClimateGuard system	●
Electronic sensors	●
Exterior temperature controls	●
UltraFlow dispenser	64
	Crushed ice, cubes, water
Features	
Light and child lock	●
Cabinet shelves	4 glass
Adjustable	2
Slide-out, spillproof	2 spillproof
2-stack drawer system	●
Top drawer	Adj. humidity
Bottom drawer	Adj. temp.
Snack drawer	●
	4 (2 adj. with gallon storage)
Door bins	●
Dairy compartment	●
Interior lighting	Dual
Quiet design	Deluxe
Freezer features	
FrostGuard™ technology	●
Factory-installed icemaker	●
Wire cabinet shelves	4 (1 adj.)
Storage basket(s)	1 bin
Door bins	5 shelves
Interior light	●
Appearance	
Color(s) available	CleanSteel™
Door handles	Black
	Rounded doors
Exterior design	
Textured steel case	Black
Adjustable rollers	Front
Weights & Dimensions	
Height to top of hinge (in.) A	69-3/4
	67-1/2
Height to top of case (in.) B	68-3/4
	66-1/2
Case depth without door (in.) C†	28
Case depth less door handle (in.) D†	31-1/4
Case depth with door handle (in.) E†	33-5/8
Depth w/fresh food door open 90° (in.) F†	49-3/8
	35-3/4
Width (in.) G	33-1/2
Width w/door open 90° with door handle (in.) H	38-1/4
	36
	Each side (in.) 1/8
	Top (in.) 1
Air clearances	Back (in.) 1
Approx. shipping wt. (lbs.)	344 / 323
Power/Ratings	120V, 60Hz, 15Amps

†Water hookups fits in back air clearance when calculating installation depth.
If installed against a wall, allow clearance of 10-3/4" on 20 cu. ft. and 22 cu. ft. models; 14-1/4" on 25 cu. ft. models on freezer side to remove bin. Clearances required to remove fresh food full-size pan without disassembling: 13-1/2" on 20 cu. ft.; 15" on 22 cu. ft.; and 19" on 25 cu. ft.
Allow additional space for any necessary leveling adjustments.
ALL MODELS AVAILABLE IN U.S. AND CANADA.

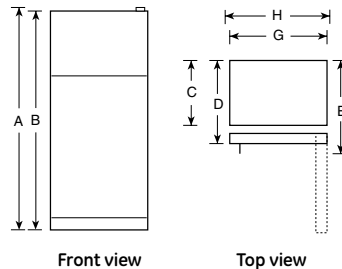
Side-by-side refrigerators



Top-freezer refrigerators

	GE "X" Series GTJ18XCT	GE "B" Series GTJ17BCT	GE Small top-freezers GTL12HBX
ENERGY STAR qualified	●	●	
Capacity			
Total (cu. ft.)	18.2	16.6	12.0
Fresh food (cu. ft.)	13.89	12.54	9.0
Freezer (cu. ft.)	4.27	4.10	3.0
Shelf area (sq. ft.)	21.7	19.2	
Fresh food features			
Upfront temperature controls	●	●	
Cabinet shelves	4 glass	2 wire	
Adjustable	4 split	2 f/w	
Crisper drawers	2 clear	2	
Snack drawer	Clear		
	3 full-width (2 w/gallon storage)	2 full-width w/gallon storage	
Door shelves			
Dairy compartment	●	●	
Interior lighting	Single	Single	
Quiet design	Deluxe	Deluxe	
NeverClean™ condenser	●	●	
Freezer features			
Factory-installed icemaker & bin	●	●	
Ice 'N Easy trays		1	
Wire freezer compartment shelves	Step		
Fixed door shelves	2 full-width	2	
Exterior			
Color(s) available	Silver metallic	Silver metallic	
Door handles	Black	Black	
Exterior design	Squared doors	Squared doors	
Textured steel door and case	●	●	
Reversible doors	●	●	
Choose right or left door opening			
Adjustable rollers	Front	Front	
Capacity			
Height to top of hinge (in.) A	67-3/8	64-3/4	
Height to top of case (in.) B	66-7/8	64-1/4	
Height to mid-freezer (in.)	57	54-3/8	
Case depth without door (in.) C	26-3/4	25-7/8	
Case depth less door handle (in.) D	30-1/2	29-1/8	
Case depth with door handle (in.) E	32-3/8	31	
Depth w/fresh food door open 90° (in.) F	56-3/8	54-7/8	
Width (in.) G	28	28	
Width w/door open 90° w/door handle (in.) H	30-3/4	30-1/2	
Air clearances	Each side (in.) 3/4	3/4	
	Top (in.) 1	1	
	Back (in.) 1	1	
Approx. shipping wt. (lbs.)	192	175	
Power/Ratings	120V, 60Hz, 15Amps	120V, 60Hz, 15Amps	

Top-freezer no-frost refrigerators



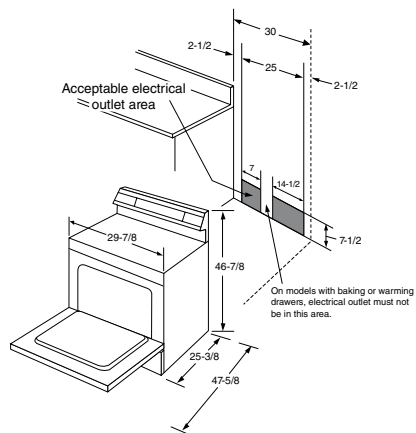
	GE Small top-freezers GTL12HBX
Capacity	
Total (cu. ft.)	12.0
Fresh food (cu. ft.)	9.0
Freezer (cu. ft.)	3.0
Fresh food features	
Cabinet shelves	2 wire
Adjustable	2 f/w
Crisper drawers	2 clear
	4 (3 2/3 width, 1 f/w)
Door shelves	1 f/w
Interior light system	Single
Quiet design	Standard
Freezer features	
Factory-installed icemaker & bin	Opt. (IM4A)
Ice 'N Easy trays	●
Fixed door shelves	2 f/w
Exterior	
Color(s) available	CleanSteel
Door handles	CM recessed
Exterior design	Rounded doors
Reversible doors	●
Choose right or left door opening	Right only
Adjustable rollers	Front
Weights & Dimensions	
Height to top of hinge (in.) A	60
Height to top of case (in.) B	59-5/8
Height to mid-freezer (in.)	41-7/8
Case depth without door (in.) C	27
Case depth less door handle (in.) D	29-5/8
Case depth with door handle (in.) E	29-5/8
Depth w/fresh food door open 90° (in.) F	50-1/2
Width (in.) G	23-1/4
Width w/door open 90° w/door handle (in.) H	24
	Each side (in.) 1
	Top (in.) 4
Air clearances	Back (in.) 3
Approx. shipping wt. (lbs.)	163
Power/Ratings	120V, 60Hz, 15Amps

30" free-standing electric ranges

	GE
	JB620GR
Features	
Self-clean oven	●
Self-clean latch	●
Oven capacity (cu. ft.)	Super-large 5.3
Oven racks	2
Ceramic-glass cooktop	Pat. black
One-piece upswept cooktop	●
8" ribbon heating element	2 (2000W)
6" ribbon heating element	2 (1500W)
Melt/Simmer	●
Infinite heat controls	●
QuickSet oven controls	QuickSet III
Digital temperature display	●
Oven light pad	●
Self-clean cool-down time display	●
Auto oven shut-off	w/override
Certified Sabbath mode	●
Audible preheat signal	●
Dual element bake	●
Hot surface lights	●
Interior oven light	●
Storage drawer	●
Appearance	
Color appearance	Silver
Frameless glass oven door	Silver
Oven door with window	Big hearth
Designer-style handle	●
Storage drawer handle	Recessed
Weights & Dimensions	
Overall oven interior dimensions (WxHxD in inches) upper/lower	24-1/8 x 19-1/4 x 19-1/2
Approx. shipping wt. (lbs.)	174
Power/Ratings	
KW rating @ 240V	10.5
208V	7.9
Amp rating @ 240V / 208V	40
Broiler/bake wattage	3410/2585

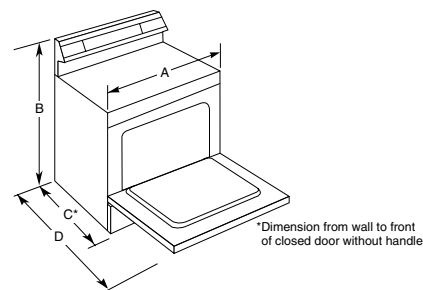
All ranges are shipped with cooktop cleaning creme & pad.

Dimensions and installation information (in inches) for models JB620 and JBP28:

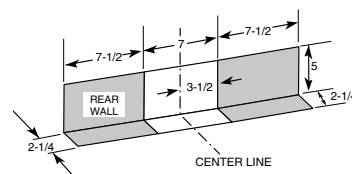


	GE®	
	JBP28GR	JBS07SP
Features		
Oven cleaning	Self-clean	Standard
Oven capacity (cu. ft.)	5.3	5.0
Oven racks	2	2
Self-clean drip bowls	●	
Upswept porcelain-enameled cooktop	●	●
Clean-Well™ cooktop system	●	●
Lift-up cooktop w/dual support rods	●	●
8" heating elements	2 (5 turns)	2 (5 turns)
6" heating elements	2 (4 turns)	2 (4 turns)
Infinite heat controls	●	●
Plug-in Calrod® heating elements	●	●
Removable 1-piece drip bowls	Black	Chrome
TrueTemp™ oven system	●	
Six-pass power bake element	●	
Convenience controls	●	
QuickSet oven controls	QuickSet IV	
Digital temperature display	●	
Electronic oven controls	●	
Auto oven shut-off	w/override	
Delay bake	●	
Oven light pad	●	
Start pad	●	
Auto self-clean	●	
Self-clean cool down time display	●	
Audible preheat signal	●	
Certified Sabbath mode	●	
Clock and minute timer	●	
Dual element bake	●	●
Heating element "ON" indicator light	●	●
Interior oven light	●	●
Preheated oven light	●	
Removable full-width storage drawer	Silver	Silver
Appearance		
Color appearance	Silver	Silver
Frameless glass oven door	Silver	Silver
Oven door with window	Big hearth	ClearView™
Removable oven door	●	●
Designer-style handle	●	●
Storage drawer handle	Recessed	D-shaped stainless
Textured steel side panels	●	●
Weights & Dimensions		
Overall oven interior dimensions (WxHxD in inches)	24-1/8 x 19-1/2 x 19-3/8	23-3/4 x 19 x 18-1/2
Approx. shipping wt. (lbs.)	171	141
Power/Ratings		
KW rating @ 240V	12.1	12.6
208V	9.1	9.5
Amp rating @ 240V / 208V	40	40
Broiler/bake wattage	3410/2585	3410/2585

Dimensions and installation information (in inches) for model JBS07:



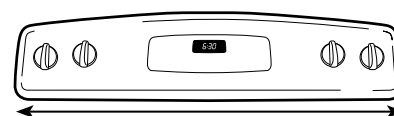
Receptacle locations: Locally approved flexible service cord or conduit must be used because terminals are not accessible after range installation. See shaded area in drawing for location of electrical outlet box. Recommended outlet locations allow range to be installed directly against wall.



Dimensions (in inches)

Model	A	B	C*	D
JBS07	29-7/8	46-1/4	26-1/4	46-1/4

*Dimension from wall to front of closed door handle is 28-3/4" on model JBS07.



All 30" GE gas and electric range backguards are 30-7/8" wide.*

Note: 30" ranges conform to UL requirements for 0" spacing from adjacent walls below countertops. To reduce possible scorching of walls, engineering recommends a minimum of 1-1/2" spacing to allow for possible extended, high heat, no-load heating element operation.

*Except these models: JGBS07, JGBS04, JGBP90, all GE Profile free-standing electric and gas ranges
Fits most countertop backsplash applications. Consult Use & Care Manual for detailed installation instructions.

Features

30" self-clean gas range

	GE® Sealed burners JGBP25GER*
Capacity	
Oven capacity	Extra-large 4.8 cu. ft.
Features	
Oven cleaning	Self-clean
Cooktop burners	Sealed
All-purpose burners (Nat.)	(4) 9,500
Valves (degree of turn)	140
QuickSet oven controls	QuickSet III
Auto self-clean	●
Electronic clock and timer	●
Audible preheat signal	●
Auto oven shut-off	●
Certified Sabbath mode	●
One-piece upswept cooktop	Porc.-enam.
Porcelain-enameled one-piece drip pans	Opt. access.
Removable grates	Black dix. porc.-steel
Square grates	●
Ignition system	Electronic
Oven racks	2
Six embossed rack positions	●
Scratch-resistant backguard	Porc.-enam.
Interior oven light	●
Storage drawer	●
In-oven broiling	●
Appearance	
Color appearance	Silver
Frameless oven door	Silver
Oven door with window	Small hearth
Designer-style handle	●
Storage drawer handle	Recessed
Weights & Dimensions	
Overall oven interior dimen. (WxHxD in inches)	24 x 18-1/2 x 19
Approx. shipping wt. (lbs.)	210
Power/Ratings	
Top burners (000's BTUs) Nat/LP	(4) 9.5/9.5
Oven/broiler burners (000's BTUs) Nat/LP	16.0/16.0 oven 12.5/12.0 broil
Gas range electrical rating	120V, 60Hz, 5A
LP conversion kit (incl.)	●
Factory set for Natural Gas. A set of LP orifices is included with each range for LP conversion.	
*Available October 2010.	

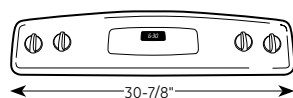
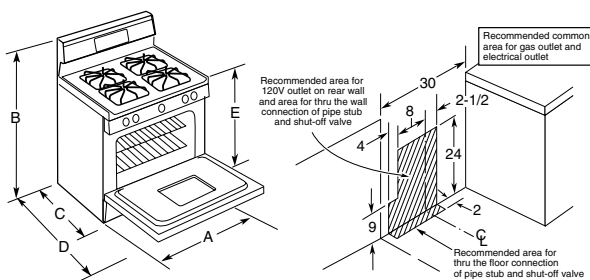
30" standard-clean gas ranges

	GE	
	Sealed burner model JGBS18GER	Standard burner model JGBS07SEP
ADA-compliant		●
Capacity		
Oven capacity	Extra-large 4.8 cu. ft.	Extra-large 4.8 cu. ft.
Features		
Oven cleaning	Standard-clean	Standard-clean
Cooktop burners	Sealed	Std./twin
All-purpose burners (Nat.)	(4) 9,500 BTU	(4) 9,100
Valves (degree of turn)	140	140
Electronic clock and timer	●	
Electronic oven controls	QuickSet III	
Porcelain-enameled cooktop		●
Lift-up cooktop		●
Easy-clean porcelain-enameled subtop		●
One-piece drip pans	Opt. access.	Opt. access.
Removable square grates	Black standard porcelain-steel	Black standard porcelain-steel
Ignition system	Electronic	Electronic
Oven racks	2	2
Embossed rack positions	6	6
One piece broiler pan	●	●
Porcelain-enameled backguard	●	●
Interior oven light	●	●
Broiler drawer	●	●
Appearance		
Color appearance	Silver	Silver
Frameless oven door	Silver	Silver
Oven door with window	Small hearth	ClearView™
Designer-style handle	●	●
Storage drawer handle	Recessed black	Recessed stainless
Weights & Dimensions		
Overall oven interior dimen. (WxHxD in inches)	24 x 18-1/2 x 19	
Approx. shipping wt. (lbs.)	175	165
Power/Ratings		
Top burners (000's BTUs) Nat/LP	(4) 9.5/8.0	(4) 9.1/8.0
Oven/broiler burners (000's BTUs) Nat/LP	18.0/16.5	
Gas range electrical rating	120V, 60Hz, 5A	
LP conversion kit (included)	●	●
Factory set for Natural Gas. A set of LP orifices is included with each range for LP conversion.		

Over-the-range microwave oven

	GE JVM1540MP JNM1541MP*
Capacity	
Oven cavity (cu. ft.)	1.5
Features	
Watts (IEC-705 test procedure)	950
Electronic touch controls	●
Clock and AM/PM pad	●
Convenience controls	●
Beverage	●
Potato	●
Popcorn	●
Reheat	●
Express Cook (1-6 min.)	●
Instant On controls	●
Time cook	I & II
Add 30 Seconds	●
Auto/Time Defrost	● / ●
Power levels	10
Delay Start/Reminder	● / ●
Cooking system	Top feed
Turntable	Recessed
Turntable On/Off	●
Turntable diameter (in inches)	11-1/2
Interior lighting	●
Full-view cooktop lighting	●
Timer On/Off	●
Cooking complete reminder	●
Control lockout	●
300-CFM exhaust fan	2-speed
Appearance	
Color appearance	Silver
Case color	Black
Weights & Dimensions	
Overall oven interior dimensions WxHxD (in inches)	20-1/4 x 9-1/4 x 14-13/32
Approx. shipping weight (lbs.)	67
Power/Ratings	
Input Volt/Hz	120V/60Hz
Input Amps/Watts (max)	15A/1.58KW
Accessories	
Cooking guide label	●
Oven rack(s)	1 (1-position) JX81.J (optional) JX81.J (included)
Recirculating charcoal filter kit†	
Filler panel kit ††	Optional
Warranty	
Limited one-year in-home warranty†††	●
*Non-vented model.	
†Optional for units that are not set as recirculating from the factory.	
††JX81BL available through GE Parts. Call 1-877-959-8688 to order.	
†††See warranty for details.	

30" gas range installation information



All 30" GE gas and electric range backguards are 30-7/8" wide.*

Note: 30" ranges conform to UL requirements for 0" spacing from adjacent walls below countertops. To reduce possible scorching of walls, engineering recommends a minimum of 1-1/2" spacing to allow for possible extended, high heat, no-load heating element operation.

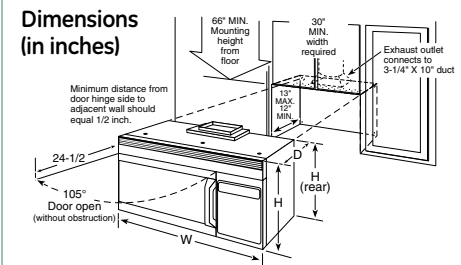
*Except model: JGBS07.
Fits most countertop backsplash applications. Consult Use & Care Manual for detailed installation instructions.

Dimensions (in inches)

Model	A	B	C*	D	E
JGBP25	30	46-1/8	26-1/4	46-3/8	36-1/4±1/4
JGBS18	30	46-1/8	26-1/4	46-3/8	36-1/4±1/4
JGBS07	30	46-7/8	26-1/4	46-1/4	36-1/4±1/4

*Dimension from wall to front of closed door handle is 28-5/8" model JGBP25 and 29" on model JGBS07. Depth to front edge of cooktop on model JGBS07 is 25-1/4"

Dimensions (in inches)



Overall exterior dimensions (in inches)

Model	W	D	H	H (Rear)
JVM1540MP	29-7/8	15-11/32	16-25/32	16-7/16
JNM1541MP	29-7/8	15-11/32	16-25/32	16-7/16

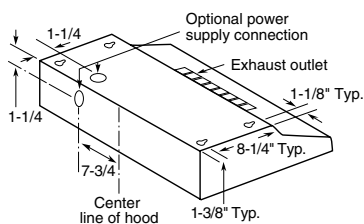
This information is not intended to be used for installing unit described. Before installing, consult installation instructions packed with product/kit for current dimensional data.

Hood

	GE RN328HSA
Features	
Two-speed fan control	●
Removable grease filters	Disposable 1-pc. filter**
Filter size (sq. in.)	90
Cooktop light(s)*	1
Night light position on light switch	●
Non-vented	●
Appearance	
Color appearance	Silver
Weights & Dimensions	
Width (in inches)	30
Approx. shipping weight (lbs.)	19
Power/Ratings	
Current rating amps @ 120V	2.5

*Light bulbs not furnished. Light cover not included.
 **WB2X8391 replacement grease filter and WB02X10700 replacement charcoal filter are available for additional cost. Call toll-free 800.626.2002

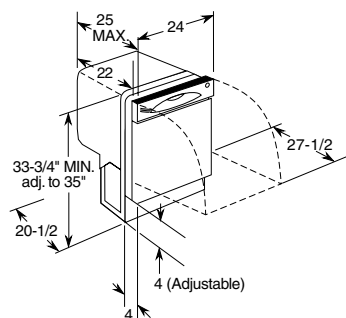
Dimensions (in inches)



Built-in dishwashers

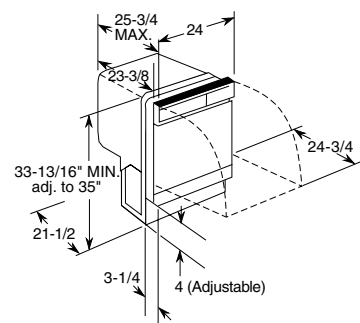
	GE GLD3846TSA
ENERGY STAR®	
Energy Factor (EF)	0.66
Normal wash gallons per cycle	5.5
Kilowatt hrs	324
Features	
Tube and door liner	PermaTuf®
Place settings	up to 14
Front appearance	Flat door
Full-length door design	●
Wash system	Towerless
Wash arms	2 direct-feed
Wash levels	4
Water filtration	5-stage, with ExtraFine™ filter
Self-cleaning filtration	●
Dual pumps and motors	●
Hard food disposer	Piranha™
Sensor	SaniSensor
Automatic temp. control	●
Rinse aid dispenser	w/indicator & adjustment
Electronic controls	●
Cycle status indicators	1 "Clean" light, 1 "Sanitized" light
Touchpads	6
Cycles/Options	2/4
Last cycle memory	●
Audible end-of-cycle signal	●
Cycles	
SaniWash	●
Normal Wash	●
Options	
Delay Start	2/4/8-hour
Heated Dry	●
Added heat	●
Control lock-out	●
Racking	
Rack finish	White titanium
Upper rack	Deluxe flat
Silverware basket	1-pc. with 1 cell cover
Solid surface install kit	GPF65
Latch	Squeeze
Dry	
Calrod® heating element	Multi-wattage
Quiet	
Sound insulation package	59 dBA
Weights & Dimensions	
Height w/legs retracted (in.)	34 - 35
Height w/legs removed (in.)	33-3/4
Overall width (in.)	24
Overall depth (in.)	25 max
Approx. shipping weight (lbs.)	95

GE built-in dishwasher dimensions (in inches) for model GLD3846TSA



	GE GLD2340RSA
ENERGY STAR	
Energy Factor (EF)*	0.66
Normal wash gallons per cycle**	5.3
Kilowatt hrs/yr	324
Features	
Tube and door liner	PermaTuf
Wash system	PowerScrub™
Wash levels	4
Water filtration	2-stage
Self-cleaning filtration	●
Hard-foed disposer	Piranha
Rinse aid dispenser	●
Cycle status indicator(s)	Dial
Touchpads	4
Cycles/Options	5/2
Cycles	
Pots & Pans	●
Normal Wash	●
Light Wash	Dial
Plate Warmer	Dial
Rinse Only	Dial
Options	
Heated Dry	●
HotStart	Dial
Racking	
Upper rack	Standard
Lower rack	Standard
Silverware basket	Deluxe
Solid surface install kit	GPF65
Latch	●
Dry	
Calrod heating element	●
Quiet	
Sound package†	64 dBA
Appearance	
Color panels—door & access	Trimless
Weights & Dim.	
Height w/legs retracted (in.)	34
Height w/legs removed (in.)	33-13/16
Overall width (in.)	24
Overall depth (in.)	25-3/4
Approx. ship. wt. (lbs.)	80

GE built-in dishwasher dimensions (in inches) for model GLD2340RSA



All GE dishwashers are equipped with the following: 120°F inlet water capacity, convection drying, horizontal mechanism, leveling screws.
 *Subject to change.
 **Based on DOE test procedure, ANSI/AHAM DW1.
 ***Certified by National Sanitation Foundation.
 †dBA levels based on Owens-Corning IEC-60704 lab testing, 2009.

Service and support before and after the sale



Commitment

- An industry-leading company committed to customer satisfaction.
- A nationwide network of sales professionals and service technicians wholly dedicated to the builder community. 800.GE.CARES.

Service and Support

- 24-hour accessibility through award-winning technology
—geappliances.com
- GE Answer Center® saves you time by providing answers on product features. [800.626.2000](tel:800.626.2000).



100 years of innovation and we're just getting started

For more than a century, GE has been committed to producing innovative products that change the way people live. The result of thorough research and rigorous testing, GE appliances are designed for years of dependable performance. Today, the GE tradition of quality and innovation continues.

GE
Appliances
Appliance Park
Louisville, KY 40225
geappliances.com

GE has a policy of continuous improvement of its products and reserves the right to change materials and specifications without notice.

© 2010 General Electric Company
Pub. No. 1-X470 PC61928