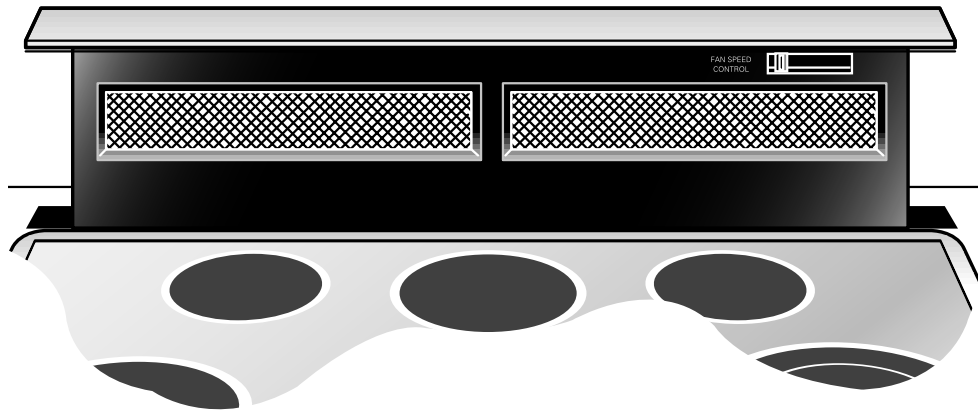




GE Appliances

Downdraft Vent Systems



Owner's Manual

JVB36

JVB66



Safety Information

Safety Precautions3, 4

Operating Instructions

Using the Downdraft System5, 6

Using the Controls5

Care and Cleaning6

Installation Instructions

Before You Begin7

Measurements7-9

Planing the Ductwork10

Planing the Wiring11

Installing the Downdraft11, 12

Installing the Electrical Wiring13

Troubleshooting Tips

Before You Call For Service14

Customer Service

Product Registration17

Warranty19

Service Telephone Numbers Back Cover

Congratulations!

You Are Now Part of the GE Family.

Welcome to the GE family. We're proud of our quality products and we are committed to providing dependable service. You'll see it in this easy-to-use Owner's Manual and you'll hear it in the friendly voices of our customer service department.

Best of all, you'll experience these values each time you use your vent. That's important, because your new vent will be part of your family for many years. And we hope you will be part of ours for a long time to come.

We thank you for buying GE. We appreciate your purchase, and hope you will continue to rely on us whenever you need quality appliances for your home.

GE & You, A Service Partnership.



IMPORTANT!

Fill out and return the Consumer Product Registration Card that is packed with this product. If you cannot find it, please send in the duplicate card printed in the back of this manual.



FOR YOUR RECORDS

Write the model and serial numbers here:

#

#

Staple sales slip or cancelled check here.

PLEASE NOTE: The downdraft vent system you have purchased was designed to be used with GE Profile cooktops listed in this manual.

Proof of the original purchase date is needed to obtain service under the warranty.



READ THIS MANUAL

Inside you will find many helpful hints on how to use and maintain your vent properly. Just a little preventive care on your part can save you a great deal of time and money over the life of your vent.



IF YOU NEED SERVICE

You'll find many answers to common problems in the *Before You Call For Service* section. If you review our chart of Troubleshooting Tips first, you may not need to call for service at all.

If you do need service, you can relax knowing help is only a phone call away. A list of toll-free customer service numbers is included in the back section of this guide. Or you can always call the GE Answer Center® at 800.626.2000, 24 hours a day, 7 days a week.

IMPORTANT SAFETY INFORMATION. READ ALL INSTRUCTIONS BEFORE USING.

⚠ WARNING!

For your safety, the information in this manual must be followed to minimize the risk of fire or explosion, electric shock, or to prevent property damage, personal injury, or loss of life.

⚠ WARNING—TO REDUCE THE RISK OF FIRE, ELECTRIC SHOCK, OR INJURY TO PERSONS, OBSERVE THE FOLLOWING:



- A. Use this unit only in the manner intended by the manufacturer. If you have any questions contact the manufacturer.
- B. Before servicing or cleaning unit, switch power off at service panel and lock the service disconnecting means to prevent power from being switched on accidentally. When the service disconnecting means cannot be locked, securely fasten a prominent warning device, such as a tag, to the service panel.
- CAUTION:** For general ventilating use only. Do not use to exhaust hazardous or explosive materials and vapors.
- Installation work and electrical wiring must be done by qualified person(s) in accordance with all applicable codes and standards, including fire-rated construction.
 - When cutting or drilling into wall or ceiling, do not damage electrical wiring and other hidden utilities.
 - Ducted fans must always be vented to the outdoors.
 - Sufficient air is needed for proper combustion and exhausting of gases through the flue (chimney) of fuel-burning equipment to prevent backdrafting. Follow the heating equipment manufacturer's guideline and safety standards such as those published by the National Fire Protection Association (NFPA), and the American Society for Heating, Refrigeration and Air Conditioning Engineers (ASHRAE), and the local code authorities.
 - To reduce the risk of fire, use only metal ductwork.
 - PVC sewer pipe can be used as duct under concrete slab if allowed by local code board.
 - This unit must be grounded.



SAFETY PRECAUTIONS

WARNING—TO REDUCE THE RISK OF A RANGE TOP GREASE FIRE:

- Keep fan, filters and grease laden surfaces clean.
- Always turn hood **ON** when cooking at high heat.
- Use high range settings on range only when necessary. Heat oil slowly on low to medium setting.
- Don't leave range unattended when cooking.
- Always use cookware and utensils appropriate for the type and amount of food being prepared.
- When flaming foods under the hood, turn the fan on.

IMPORTANT SAFETY INFORMATION. READ ALL INSTRUCTIONS BEFORE USING.

Safety Instructions

Operating Instructions

Installation Instructions

Troubleshooting Tips

Customer Service



⚠ WARNING! SAFETY PRECAUTIONS

WARNING—TO REDUCE THE RISK OF INJURY TO PERSONS IN THE EVENT OF A RANGE TOP GREASE FIRE, OBSERVE THE FOLLOWING:*

A. SMOTHER FLAMES with a close-fitting lid, cookie sheet, or metal tray, then turn off the burner. **BE CAREFUL TO PREVENT BURNS.** If the flames do not go out immediately, **EVACUATE AND CALL THE FIRE DEPARTMENT.**

B. NEVER PICK UP A FLAMING PAN—You may be burned.

C. DO NOT USE WATER, including wet dishcloths or towels—a violent steam explosion will result.

D. Use an extinguisher ONLY if:

1. You know you have a Class ABC extinguisher, and you already know how to operate it.
2. The fire is small and contained in the area where it started.

3. The fire department is being called.

4. You can fight the fire with your back to an exit.

**Based on "Kitchen Firesafety Tips" published by NFPA.*

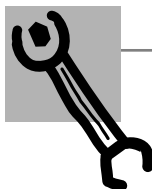
CAUTION: For general ventilating use only.

Do not use to exhaust hazardous or explosive materials and vapors.

Make sure all fingers are away from the downdraft top when it is lowered.

If You Need Service...

Do not attempt to repair or replace any part of the downdraft system unless it is specifically recommended in this guide. All other servicing should be referred to a qualified technician.



SERVICING

Be sure electrical power is off before servicing the unit.

It may be necessary to remove the downdraft blower system in order to service components such as the blower motor or air vent mechanism.

Disconnect power to the cooktop and remove it first. Reverse the steps in the *Install the Downdraft* section to remove the blower.

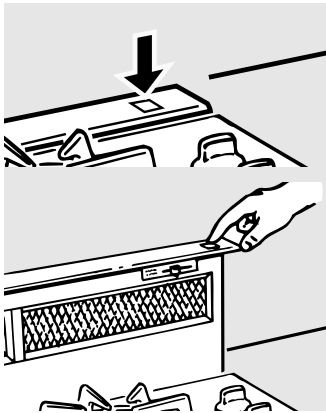
Service parts are available from a GE Service and Parts Center.



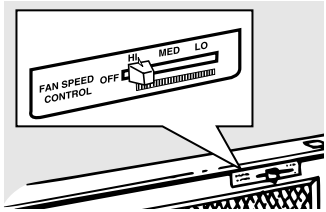
Read and follow this Safety Information carefully.

READ AND SAVE THESE INSTRUCTIONS

Using the downdraft system.



On some models, the RAISE/LOWER switch is located at the top right of the vent.



Use the selector switch to turn the blower ON, OFF or to change the blower speed.

RAISE/LOWER Switch (30" models only)

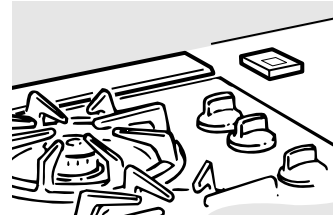
Turn the downdraft blower **ON** by pressing the **RAISE/LOWER** switch located at the top right of the vent (on some models). Place your finger on the "center" of the switch and hold until you observe the vent moving, then release. The air vent will rise. Use the selector switch to turn the blower **ON, OFF** or to change the blower speed.

The vent may be lowered by again pressing the **RAISE/LOWER** switch at the top right side of the vent. The blower, if left on, will automatically go off when the vent is lowered.

NOTE: For most convenient operation, set the blower to the speed you use most often. The blower will come on to this speed whenever the unit is raised.

Remote RAISE/LOWER switch (36" models only)

36" models have a remote **RAISE/LOWER** switch. It operates in the same manner as the switch located on the vent.



RAISE/LOWER switch location may vary.

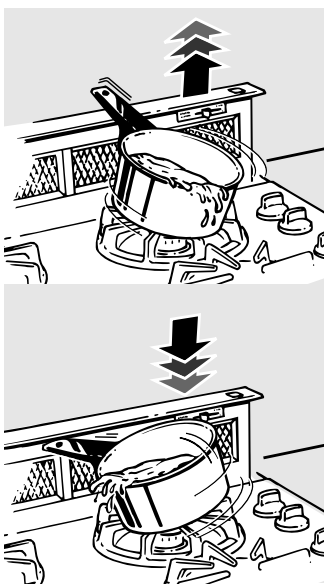
Using the Cooktop

⚠ Caution

Be careful when raising or lowering the downdraft. Be sure pots, pot handles and other objects are clear of the downdraft and cannot be struck or tipped by the downdraft being raised.

NOTE: There is a slight trim overhang at each end of the vent.

- To avoid injury, be sure fingers are clear of the downdraft cover when it is being lowered.
- Keep hands and fingers away from all downdraft parts.



Using the downdraft system.



Cooking Tips

The high air movement of this downdraft system can increase the cooking times for some foods. It may take longer to reach high cooking temperatures if the downdraft is turned to high right away. Adjust the fan speed for best cooking results.

For best results when heating oil for deep frying or when boiling water, use the front surface units or wait until the water is boiling or the oil is at frying temperatures before turning on the downdraft.

The downdraft may not completely capture all the steam from pans on the front burners.

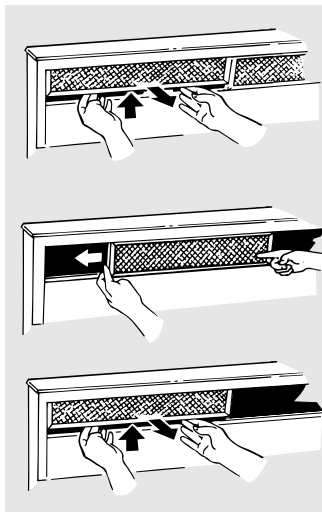
Canning

When canning foods in a water-bath canner, a gentle but steady boil must be maintained continuously for the required time.

When canning foods in a pressure canner, the pressure must be maintained continuously for the required time.

Use of the blower at **HIGH** speed when canning may reduce the temperature enough to stop boiling. While canning, we recommend using the downdraft at **LOW** speed and using the front surface unit.

Care and cleaning of the downdraft system.



Grease filters

The efficiency of your downdraft depends on a clean filter.

Frequency of cleaning depends on the type of cooking you do. Grease filters should be cleaned at least once a month.

Never operate the downdraft without the filters in place.

To remove: Lift up and pull the bottom out. Remove the left filter first, then slide the right filter to the left and remove it.

To clean: Soak and then agitate in a hot detergent solution. Light brushing may be used to remove imbedded soil. Rinse, shake and remove moisture before replacing. Filters may be cleaned by placing in dishwasher, although some slight color fading may occur after several washings.

With careful handling, the filter will last for years. If replacement becomes necessary, order the part from your dealer.

Painted or metal surfaces

Clean greasy surfaces frequently, using a mild detergent.

Do not use abrasive cloth or cleaners, steel wool pads or scouring powder because they will scratch the surface.

Installation of the downdraft system. Read these instructions completely and carefully.

WARNING—TO REDUCE THE RISK OF FIRE, ELECTRIC SHOCK, OR INJURY TO PERSONS, OBSERVE THE FOLLOWING:

A. Installation work and electrical wiring must be done by qualified persons(s) in accordance with all applicable codes and standards, including fire-rated construction.

B. Ducted fans must always be vented to the outdoors.

WARNING—To reduce the risk of fire, use only metal ductwork.



Before You Begin

IMPORTANT: Save these instructions for the local electrical inspector's use.

IMPORTANT: OBSERVE ALL GOVERNING CODES AND ORDINANCES.

NOTE TO INSTALLER: Leave these instructions with the appliance after installation is completed.

NOTE TO CONSUMER: Keep this Owner's Manual and Installation Instructions for future use.

NOTE: This appliance must be properly grounded.



Installation Requirements

Before starting installation, check the following requirements:

| | | | |
|--------------|-----|-------------|---------------|
| VOLTS | 120 | CFM | 500 |
| AMPS | 4.0 | DUCT | 3 1/4" x 10"* |

* Can be transitioned to round duct (6" round minimum).

This downdraft blower system is designed to be used to exhaust smoke and odors when cooking with all GE Profile electric and gas cooktops listed in this manual. It can be mounted in either an island or peninsula location.

Requirements for an approved installation:

- 26" minimum cabinet depth
- 26" minimum from the back of the downdraft to the front of the countertop, with
- 23 1/2" minimum FLAT countertop surface
- If you install the vent and cooktop in an island, you may need additional island depth. 24" base to base will not be adequate. Please see below.

Plan the placement of the electrical outlet carefully. It should NOT be installed on the back wall of the cabinet because it may interfere with the downdraft.

It should be installed on a side wall or adjacent cabinet. Make sure it is within reach of the unit's 2 ft. long power cord and conforms to all local codes. Install a standard outlet to make the electrical connection.

Plan the location of the gas supply pipe (for gas cooktops) carefully to avoid interference with the downdraft installation.

This unit can be easily installed following these basic steps:

- 1 Cut out the countertop opening.
- 2 Install the downdraft in the cabinet.
- 3 Connect the ductwork and electrical.
- 4 Install the cooktop.



Measurements

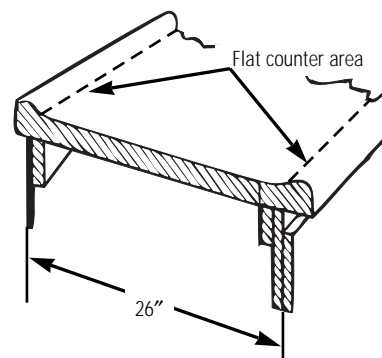
Refer to the cooktop installation instructions for dimensions of cooktop, countertop cutout, and cabinet requirements.

Cutout dimension and illustrations are given for 30" and 36" cooktops.

- The 30" models will fit in most 30" wide cabinets and the 36" models will fit in most 36" wide cabinets.
- Check the inside dimensions of the cabinet before beginning installation. The top of the side walls may need to be cut to provide clearance for mounting.

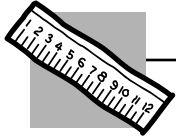
NOTE: To install a cooktop with this downdraft, the cabinet depth must be 26" minimum.

A countertop with a raised lip may not allow enough flat countertop for a proper installation.



Installation of the downdraft system.

Read these instructions completely and carefully.



30" Cooktops/Downdraft Unit JVB36

NOTE: Against-the-wall installations are limited due to dimension requirements. Refer to details below.

Figure 1
Overall cooktop dimensions

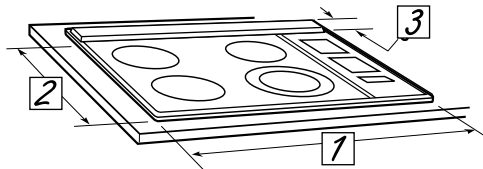
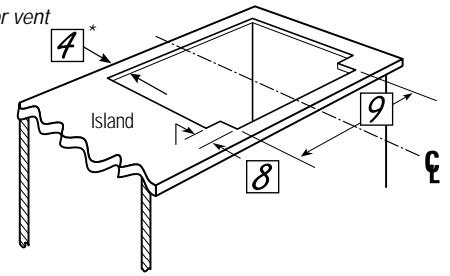
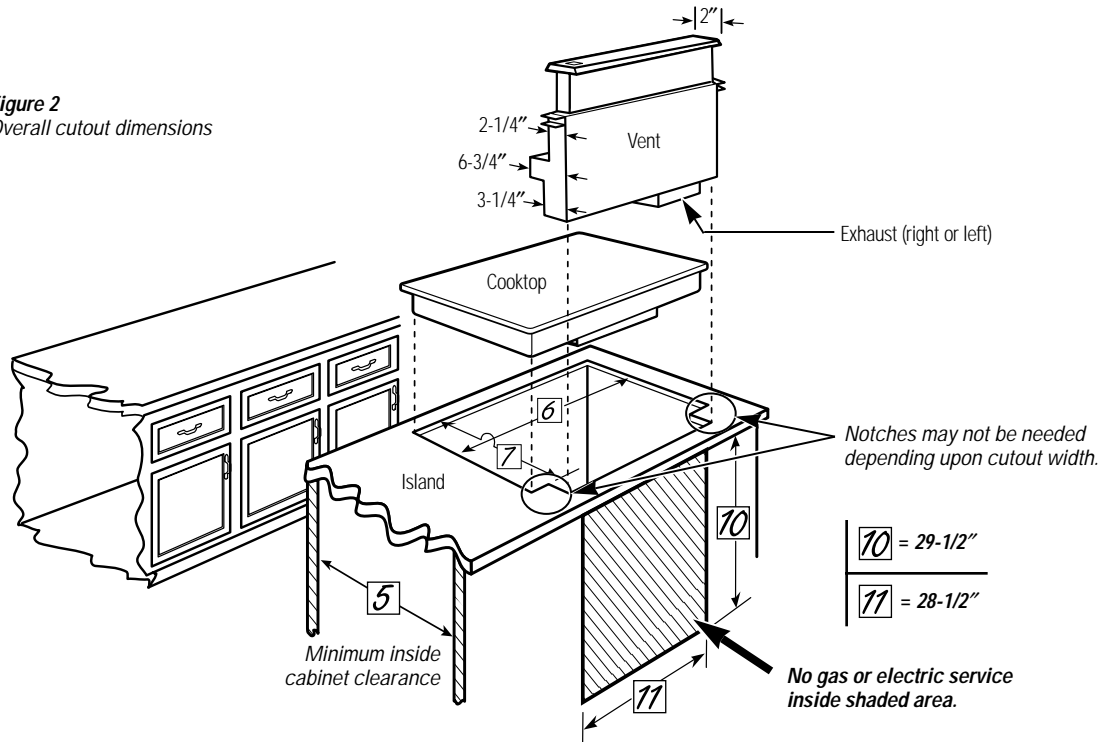


Figure 3
Cutout for vent



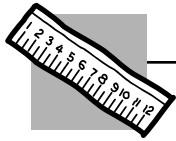
*Front edge of countertop to cutout

Figure 2
Overall cutout dimensions



| Model No. | Planning Installation (Note: 26" deep cabinets required) | | | | | Preparing Cutout | | | | |
|-------------------------|--|--|-------------------------------|---|--|---|---|---|--|--|
| | 1 (Figure 1) Cooktop Overall Width | 2 (Figure 1) Cooktop Overall Depth | 3 (Figure 1) Vent Depth | 2 & 3 (Figure 1) Depth Cooktop + Downdraft Vent | 4 (Figure 3*) Min. Setback—Front Edge Countertop to Front Edge of Cutout | 5 (Figure 2) Min. Required Inside Cabinet Clearance | 6 (Figure 2) Cooktop Cutout Width | 7 (Figure 2) Cooktop Cutout Depth | 8 (Figure 3) Additional Depth Required for Downdraft | 9 (Figure 3) Downdraft Cutout Width Required from Centerline |
| JP340 JP350 JP360 | 29-3/8" | 20-1/2" | 2" | 22-1/2" | 3" | 22-11/16" | 28-1/2" | 19-9/16" | 2-3/8" | 28-1/2" |
| JP392 JP393 | 30" | 20-3/4" | 2" | 22-3/4" | 2" | 23" | 29-1/8" | 19-15/16" | 2-5/16" | 28-1/2" |
| JGP336 | 30" | 21" | 2" | 23" | 3-1/4" | 22-7/8" | 28-1/2" | 19-1/2" | 2-5/8" | 28-1/2" |

*Required to maintain UL or AGA approvals.



36" Cooktops/Downdraft Unit JVB66

NOTE: Against-the-wall installations are limited due to dimension requirements. Refer to details below.

Figure 1
Overall cooktop dimensions

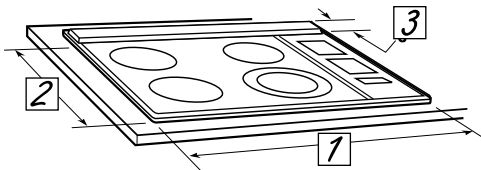
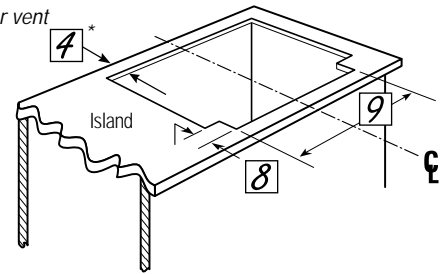


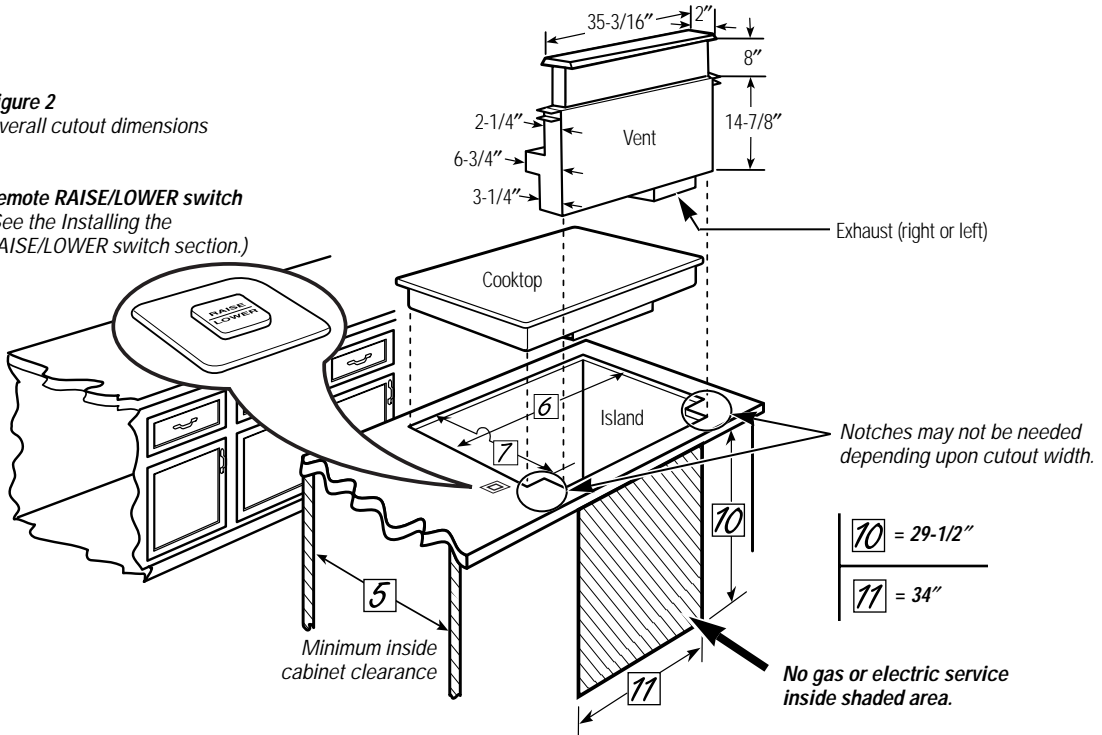
Figure 3
Cutout for vent



*Front edge of countertop to cutout

Figure 2
Overall cutout dimensions

Remote RAISE/LOWER switch
(See the Installing the RAISE/LOWER switch section.)



| Model No. | Planning Installation (Note: 26" deep cabinets required) | | | | | Preparing Cutout | | | | |
|----------------|--|-----------------------|-----------------|--------------------------------|--|--|----------------------|----------------------|---|---|
| | 1 (Figure 1) | 2 (Figure 1) | 3 (Figure 1) | 2 & 3 (Figure 1) | 4 (Figure 3*) | 5 (Figure 2) | 6 (Figure 2) | 7 (Figure 2) | 8 (Figure 3) | 9 (Figure 3) |
| | Cooktop Overall Width | Cooktop Overall Depth | Vent Depth | Depth Cooktop + Downdraft Vent | Min. Setback—Front Edge Countertop to Front Edge of Cutout | Min. Required Inside Cabinet Clearance | Cooktop Cutout Width | Cooktop Cutout Depth | Additional Depth Required for Downdraft | Downdraft Cutout Width Required from Centerline |
| JP660 | 35" | 20" | 2" | 22" | 2-1/2" | 22" | 34" | 19-9/16" | 2-3/8" | 34" |
| JP692 JP693 | 35-1/2" | 20-3/4" | 2" | 22-3/4" | 2" | 23" | 34-5/8" | 19-15/16" | 2-5/16" | 34" |
| JGP636 | 35-1/2" | 21" | 2" | 23" | 3-1/4" | 22-11/16" | 34" | 19-1/16" | 2-7/8" | 34" |

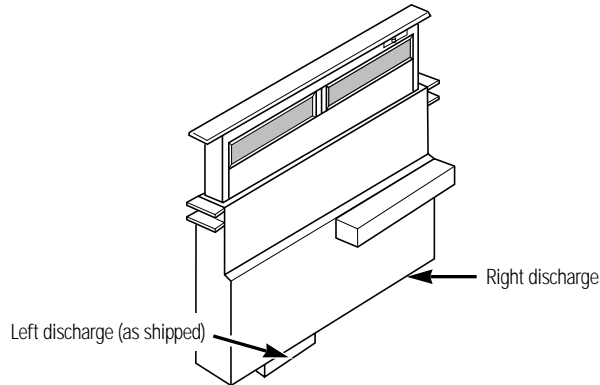
*Required to maintain UL or AGA approvals.

Installation of the downdraft system.

Read these instructions completely and carefully.

Planning the Ductwork

- This downdraft blower system is designed for use with 3/4" x 10" ductwork (can be transitioned to 6" round). Two different discharge directions are available with side-to-side adjustment for accurate alignment of ductwork.



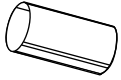
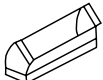

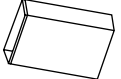
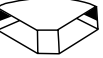
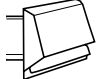


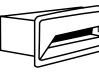

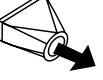

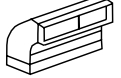


- For best performance:** Choose the ducting option which allows the shortest length of ductwork and a minimum number of elbows and transitions. Check location of floor joists, wall joists, wall studs, electrical wiring or plumbing for possible interference.

Steps to Determine Flexible Ducting's Equivalent Length

- Measure the actual amount of offset (Maximum 3" recommended). The effect upon airflow is dependent upon the amount of offset.
- Calculate the equivalent ducting allowances using:

$$(\text{___ in. offset}) \times (14 \text{ ft. per inch})$$

$$= \text{___ ft. equivalent length.}$$
- Ensure that the total equivalent length of ducting does not exceed the maximum recommendation of 150 feet.

| Duct Pieces | Equivalent Length* | Duct Pieces | Equivalent Length* | Duct Pieces | Equivalent Length* |
|--|-------------------------|---|--------------------|---|--------------------|
|  6" Round Straight | 1 ft. (per foot length) |  3/4" x 10" 45° Elbow | 5 ft. |  3/4" x 10" to 6" Round Transition 90° Elbow | 12 ft. |
|  3/4" x 10" Straight | 1 ft. (per foot length) |  3/4" x 10" 90° Flat Elbow | 24 ft. |  6" Round Wall Cap with Damper | 21 ft. |
|  6" 90° Elbow | 15 ft. |  6" Round to 3/4" x 10" Transition | 7 ft. |  3/4" x 10" Wall Cap with Damper | 27 ft. |
|  6" 45° Elbow | 9 ft. |  3/4" x 10" to 6" Round Transition | 5 ft. |  6" Round Roof Cap | 20 ft. |
|  3/4" x 10" 90° Elbow | 16 ft. |  6" Round to 3/4" x 10" Transition 90° Elbow | 20 ft. |  6" Round Roof Vent | 24 ft. |

SHOULD NOT EXCEED 150 EQUIVALENT FT.

*Equivalent lengths of duct pieces are based on actual tests conducted by GE Evaluation Engineering and reflect requirements for good venting performance. See chart for CFM Duct Length.

Planning the Wiring

All wire connections and installations must be in compliance with local codes. In the absence of local electrical codes consult the National Electric Code.

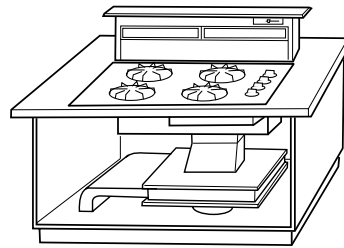
- 1 The downdraft blower system draws 4 AMPS and requires a 120 VAC, 60 Hz circuit.
- 2 Plan to provide a grounded outlet in a location which will allow the unit's power cord to reach.
- 3 On 36" model, plan the **RAISE/LOWER** switch. The lead to the switch is 72" long.

The outlet cannot be located on a back wall.

The outlet needs to be mounted on the side wall of the cabinet or it could be on the back wall of an adjacent cabinet with access through an opening in the side wall. (Based on local codes.)

Preparing to Install the Downdraft System

Changing Blower Discharge



Discharge left
(shown with rectangular duct)

The vent is shipped with the outlet on the left.

If the position of the discharge needs to be moved so the ductwork does not interfere with floor joists, plumbing or wiring below, make the following changes:

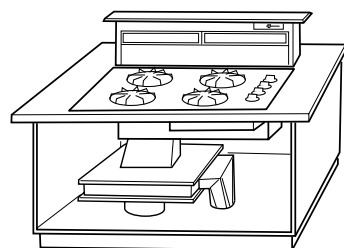
To change the discharge from left to right, remove the screws holding the outlet panel to the bottom of the vent. Remove and rotate the panel and fasten with the screws.

Preparing the Blower

A transition is provided to connect a 3¼" x 10" duct to the blower. Attach the duct transition to the top of the blower with the screws provided. The blower has holes that match the transition.

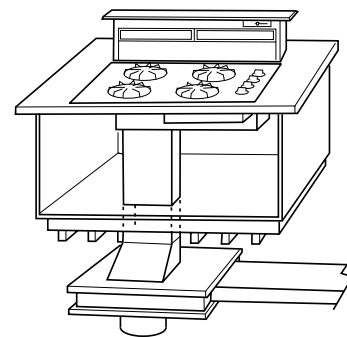
Do not drill additional holes in the blower.

If round ducting is used, transition to 6" round to connect to the inlet of the blower.



Discharge right
(shown with 6" round duct)

The blower can be mounted in the cabinet or under the floor. The blower will fit between floor joists on 16" centers.



Through the floor
(shown with rectangular duct)

For installations where the blower is mounted in the cabinet, attach the mounting supports to the corners of the blower housing on the motor side of the motor housing.

If the blower is installed under the floor, attach the support legs to the corners of the blower housing on the side that the inlet duct attaches.

The support legs are adjustable for height by sliding the two halves and tightening the bolts when extended to the desired length.

Installation of the downdraft system.

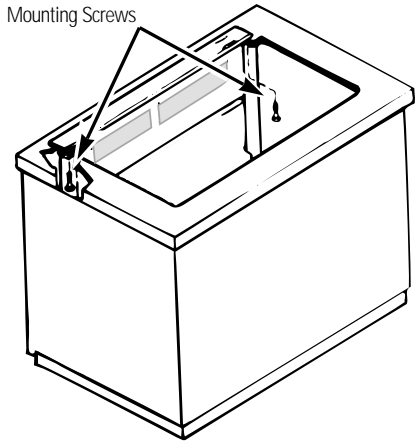
Read these instructions completely and carefully.

Installing the Downdraft

- 1 Set the downdraft into the opening.
- 2 Secure the downdraft to the countertop as follows: Hold the downdraft against the back of the countertop cutout and tighten the 2 mounting screws (one on each end of unit) on the underside of the countertop. Use a wood shim between the screw and the underside of granite countertops.
- 3 There are holes provided to attach the stabilizing strap to either side of the downdraft. Fasten the other end of the strap to the back or side wall of the cabinet.

If installing on a tile surface, it may be necessary to apply locally approved caulking along the back and sides to cover gaps.

Mounting Screws



Installing the Ductwork

CAUTION—BEFORE CUTTING A HOLE IN CABINET FOR DUCTWORK: Check for interference with floor joists, wall studs, electrical wiring or plumbing.

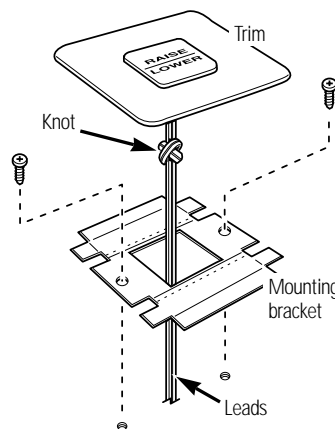
- 1 Cut the hole in the cabinet as well as holes in the wall or floor as necessary.
- 2 Mount the roof or wall cap and work back towards the cabinet and blower, attaching all ductwork, elbows and transitions as previously planned. Tape all ductwork connections to make them secure and air tight.

Installing the RAISE/LOWER Switch (on some models)

The **RAISE/LOWER** switch can be installed in the countertop, cabinet face or wall near the downdraft.

Determine where you wish to place the remote mount **RAISE/LOWER** switch. Keep in mind that the wiring lead length for the switch is 72 inches. The connector at the end of the leads plugs into a mating connector located in the control box.

- 1 After selecting the location of the switch, drill a 1/8" hole in the surface selected, i.e. top, cabinet face, or adjacent wall. Countersink 11/16" to a 1/4" depth. Tie a small knot in the switch leads as shown in this figure. The knot should be as close to the switch as possible so that it fits into the countersink. This provides for strain relief.



Mount the metal switch bracket, with either the screws provided or locally approved adhesive, over the countersink.

Make sure the bracket is oriented with the center section touching the mounting surface.

- 2 Peel the film from the back of the trim to expose the adhesive and thread the electrical leads through the mounting bracket 1/8" hole and into the cabinet.

If mounted on a tile surface, make the hole large enough for wires (i.e. between tile sections) and use locally approved caulking to cover any gaps around the base of the trim body.

Snap the trim body onto the mounting bracket and press to set the adhesive.

- 3 Attach the 2 leads to the two-prong plug and plug into the panel on the vent. Route and tie the switch leads and any excess wire length so they will not be pinched or caught during operation of the vent or by an article stored within the cabinet.

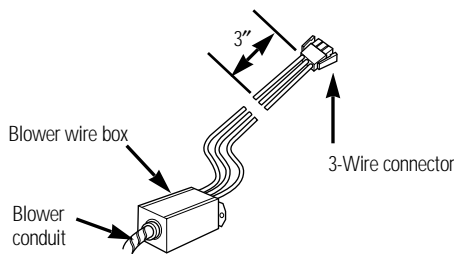
Installing the Electrical Wiring

- 1 Mount a standard wiring box, with 3-pronged, 120 volt, 60HZ outlet, inside the cabinet. Make sure the downdraft's power cord can easily reach it.
- 2 Run the appropriate power cable into the cabinet and connect it to the outlet.
- 3 Plug the downdraft's power cord into the outlet.

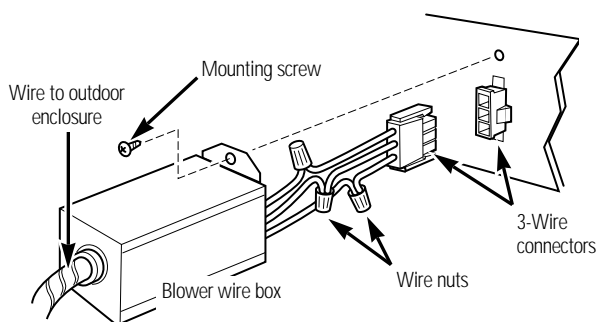
For Remote Installations

If the blower conduit is not long enough to reach the wiring compartment on the downdraft, the leads can be extended.

- 1 Cut the blower leads approximately 3" from the plug on the end of the blower conduit.



- 2 Remove the wire box and conduit fitting from the end of the blower conduit by loosening the screw on the fitting.



For Local Installation

The conduit on the blower is of sufficient length to connect to the downdraft when the blower is mounted in the cabinet and for some installations under the floor.

Plug the blower conduit into the mating connector on the bottom of wiring compartment cover on the downdraft. Fasten the wire box to the main unit wiring compartment with the screws provided.

- 3 Save the wire box and plug to complete the connection at the downdraft vent in the house.
- 4 Use electrical cable and connectors that conform to local codes (14 gauge min. is recommended). Attach the wire box removed from the blower conduit to the end of the wire run at the vent. Attach the plug and 3" leads to the cable at the downdraft vent. Insert the plug into the mating plug on the vent. Attach wire box with screws to the vent.
- 5 Install appropriate electrical box with conduit connectors near the blower.
- 6 Check that the red plastic anti-short bushing is secured in the end of the conduit. Install the blower conduit into the conduit connector on the electrical box.
- 7 Attach the green ground lead from the blower to the ground lead of the wiring of the downdraft vent.
- 8 Connect the neutral and power leads from the blower to the leads from the downdraft vent.

Installing the Cooktop

Align the cooktop with the downdraft and fasten cooktop in place.

NOTE: Accurate alignment of cooktop and downdraft is necessary to ensure that there is not interference when air vent is raised and lowered. There should be a gap of 1/16"–1/8" between the back of the cooktop and the front of the downdraft cover.

Before You Call For Service...



Troubleshooting Tip
Save time and money! Review the tip below and you may not need to call for service.

| <i>Problem</i> | <i>Possible Causes</i> | <i>What To Do</i> |
|--------------------------|--|--|
| <i>Fan does not work</i> | <p>The vent is not fully extended.</p> <p>The blower control switch may be in the <i>OFF</i> position.</p> | <ul style="list-style-type: none"> • Press the RAISE/LOWER switch. • Slide it to the right. |

| | | | | |
|----------------------------|-------------------------------|----------------------------------|-----------------------------|-------------------------|
| <i>Safety Instructions</i> | <i>Operating Instructions</i> | <i>Installation Instructions</i> | <i>Troubleshooting Tips</i> | <i>Customer Service</i> |
|----------------------------|-------------------------------|----------------------------------|-----------------------------|-------------------------|

Notes

| | | | | |
|-------------------------|-----------------------------|----------------------------------|-------------------------------|----------------------------|
| <i>Customer Service</i> | <i>Troubleshooting Tips</i> | <i>Installation Instructions</i> | <i>Operating Instructions</i> | <i>Safety Instructions</i> |
|-------------------------|-----------------------------|----------------------------------|-------------------------------|----------------------------|

GE Service Protection Plus™

GE, a name recognized worldwide for quality and dependability, offers you Service Protection Plus™—comprehensive protection on all your appliances—**No Matter What Brand!**

Benefits Include:

- Backed by GE
- All brands covered
- Unlimited service calls
- All parts and labor costs included
- No out-of-pocket expenses
- No hidden deductibles
- One 800 number to call


***We'll Cover Any Appliance.
Anywhere. Anytime.****

You will be completely satisfied with our service protection or you may request your money back on the remaining value of your contract. No questions asked. It's that simple.

Protect your refrigerator, dishwasher, washer and dryer, range, TV, VCR and much more—**any brand!** Plus there's no extra charge for emergency service and low monthly financing is available. Even icemaker coverage and food spoilage protection is offered. You can rest easy knowing that all your valuable household products are protected against expensive repairs.

Place your confidence in GE and call us in the U.S. toll-free at **800-626-2224** for more information.

*All brands covered, up to 20 years old, in the continental U.S.

 Cut here

Please place in envelope and mail to:

General Electric Company
Warranty Registration Department
P.O. Box 34070
Louisville, KY 40232-4070

GE Downdraft System Warranty



All warranty service provided by our Factory Service Centers, or an authorized Customer Care® technician. For service, call 800-GE-CARES.

For The Period Of: **GE Will Replace, At No Charge To You:**

One Year
From the date of the original purchase

Any part of the downdraft system which fails due to a defect in materials or workmanship. During this **full one-year warranty**, GE will also provide, **free of charge**, all labor and in-home service to replace the defective part.

What GE Will Not Cover:

- Service trips to your home to teach you how to use the product.
- Improper installation.
- Failure of the product if it is abused, misused, or used for other than the intended purpose or used commercially.
- Replacement of house fuses or resetting of circuit breakers.
- Replacement of the replaceable filters.
- Damage to the product caused by accident, fire, floods or acts of God.
- Incidental or consequential damage to personal property caused by possible defects with this appliance.

This warranty is extended to the original purchaser and any succeeding owner for products purchased for home use within the USA. In Alaska, the warranty excludes the cost of shipping or service calls to your home.

Some states do not allow the exclusion or limitation of incidental or consequential damages. This warranty gives you specific legal rights, and you may also have other rights which vary from state to state. To know what your legal rights are, consult your local or state consumer affairs office or your state's Attorney General.

If you have an installation problem, contact your dealer or installer. You are responsible for providing adequate electrical, gas, exhausting and other connecting facilities as described in the Installation Instructions provided with the product.

Warrantor: General Electric Company, Louisville, KY 40225

Safety Instructions

Operating Instructions

Installation Instructions

Troubleshooting Tips

Customer Service

Service Telephone Numbers.



GE Answer Center® 800.626.2000

The GE Answer Center® is open 24 hours a day, 7 days a week.



In-Home Repair Service 800-GE-CARES (800-432-2737)

Expert GE repair service is only a phone call away.



Special Needs Service 800.626.2000

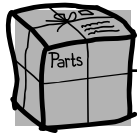
800-TDD-GEAC (800-833-4322)

GE offers, free of charge, a brochure to assist in planning a barrier-free kitchen for persons with limited mobility.



Service Contracts 800-626-2224

Purchase a GE service contract while your warranty is still in effect and you'll receive a substantial discount. GE Consumer Service will still be there after your warranty expires.



Parts and Accessories 800-626-2002

Individuals qualified to service their own appliances can have parts or accessories sent directly to their homes (VISA, MasterCard and Discover cards are accepted).

Instructions contained in this manual cover procedures to be performed by any user. Other servicing generally should be referred to qualified service personnel. Caution must be exercised, since improper servicing may cause unsafe operation.



Service Satisfaction

If you are not satisfied with the service you receive from GE:

First, contact the people who serviced your appliance.

Next, if you are still not pleased, write all the details—including your phone number—to:

Manager, Customer Relations
 GE Appliances
 Appliance Park
 Louisville, KY 40225

Finally, if your problem is still not resolved, write:

Major Appliance Consumer Action Program
 20 North Wacker Drive
 Chicago, IL 60606