



**AMERICA'S HARDEST
WORKING APPLIANCES.**

Hotpoint®

APPLIANCE CATALOG

HOLDS UP TO
30 LBS
FOR HEAVY-LOAD
DURABILITY.



APPLIANCES THAT NEVER TAKE A DAY OFF.

Hotpoint® appliances are built to stand up to just about anything you can throw at them. Sometimes literally. That's why we test every product against real-life scenarios to ensure long-lasting toughness and durability. Because the last thing you need is an appliance that can't keep up with your busy schedule.



BUILT TO WORK JUST AS HARD AS YOU DO.

You don't have time to worry about your appliances letting you down. That's why every Hotpoint® product is engineered and tested to ensure years of reliable service. Now homeowners and property managers alike can focus on more important responsibilities knowing that their Hotpoint appliances will provide dependable performance, day in and day out.



WASHER TESTING
EQUIVALENT TO
◆ **20 YEARS** ◆
OF USE.

AN HONEST CHOICE FOR YOUR HARD-EARNED DOLLAR.

There are times when bells and whistles are nice. But when it comes to keeping your home running smoothly, simple is usually better. That's why these Hotpoint® appliances are designed with everything you need, and nothing you don't. And you'll find a price tag that reflects our straightforward approach to value without costing you performance or reliability.



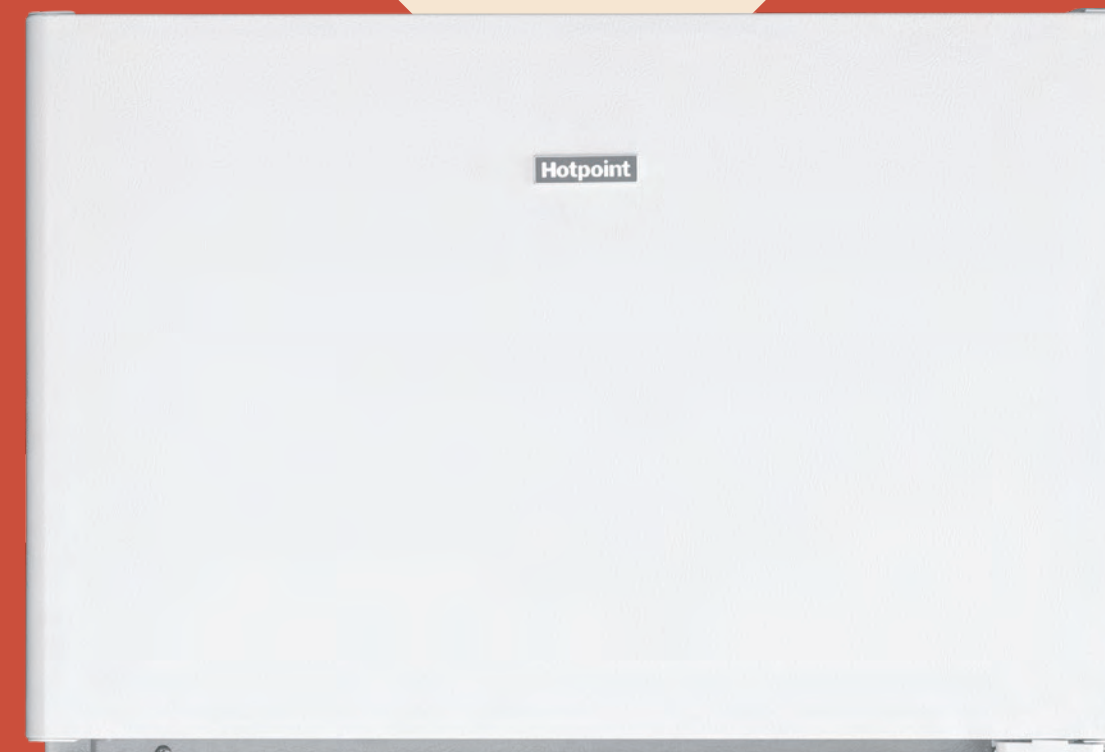
AMERICA'S HARDEST WORKING APPLIANCES

Since 1903, Hotpoint® has built appliances that get the job done right. And for nearly 120 years we've taken pride in seeing our name on products that make busy lives a little easier. Today, Hotpoint appliances are designed to be just as tough and durable as ever, while also keeping in mind that American families deserve a reliable choice for their hard-earned dollar.

10	REFRIGERATION	40	SPECIFICATIONS
18	COOKING	50	ADA
28	DISHWASHERS	51	WARRANTIES
32	CLOTHES CARE	52	PARTS
36	COMFORT PRODUCTS	53	NOMENCLATURES



REFRIGERATION



TOUGHER ◆ THAN ◆ HEATWAVES

Hotpoint® refrigerators are built to stand up to indecisive eaters, heavy snackers and frequent visitors to the fridge. Our rugged hinges, doors and handles are tested to withstand over 1,000,000 openings and closings. And reliable temperature controls keep favorite foods at the ideal conditions. So no matter what you're craving, your Hotpoint refrigerator is ready to serve.

GALVANIZED DOORS

A tough exterior coating provides extra protection from rust.

POCKET HANDLES

The streamlined design eliminates a protruding handle and makes it easy to open the door.

**BUILT
FOR
DURABILITY**

ROBUST HINGE DESIGN

Heavy-duty hinges are thicker than the competition to stand up to frequent use.

ADJUSTABLE WIRE SHELVES

These durable shelves are built to hold 60 lbs. or more.

TOUGHNESS FROM THE TOP DOWN.

TOP-FREEZERS



HPS18BTN 17.5 CU. FT. RECESSED HANDLE REFRIGERATOR

- Designed and tested to withstand real life
- LED lighting
- Pocket handles
- Adjustable wire shelves
- Upfront temperature controls

HPS18BTRWW - White
HPS18BTRBB - Black



HPE16BTN 15.6 CU. FT. RECESSED HANDLE REFRIGERATOR

- Designed and tested to withstand real life
- LED lighting
- Pocket handles
- Adjustable wire shelves
- Upfront temperature controls

HPE16BTRWW - White
HPE16BTRLWW - White (made to order)



HPS16BTN 15.6 CU. FT. RECESSED HANDLE REFRIGERATOR

- Designed and tested to withstand real life
- LED lighting
- Pocket handles
- Adjustable wire shelves
- Upfront temperature controls

HPS16BTRWW - White
HPS16BTRLWW - White
HPS16BTRBB - Black



Not all features available on all models
See page 50 for ADA requirements.

GLASS SHELVES

A large, seamless surface makes it easy to wipe away messes.



2-LITER BOTTLE DOOR STORAGE

Stores 2-liter and other tall bottles easily in door compartment.



SMALL IN SIZE, BIG ON DURABILITY. COMPACT REFRIGERATORS

HME03GGM

2.7 CU. FT. COMPACT REFRIGERATOR

- 2.7 cu. ft. capacity
- Glass shelves
- Freezer compartment
- 2-liter bottle door storage
- Adjustable thermostat

HME03GGMWW - White

HME03GGMBB - Black



HME02GGM

1.7 CU. FT. COMPACT REFRIGERATOR

- 1.7 cu. ft. capacity
- Glass shelves
- 2-liter bottle door storage
- Adjustable thermostat
- Half-width freezer compartment

HME02GGMWW - White

HME02GGMBB - Black



Not all features available on all models
See page 50 for ADA requirements.



ENERGY STAR

Less energy use is lighter on the wallet.

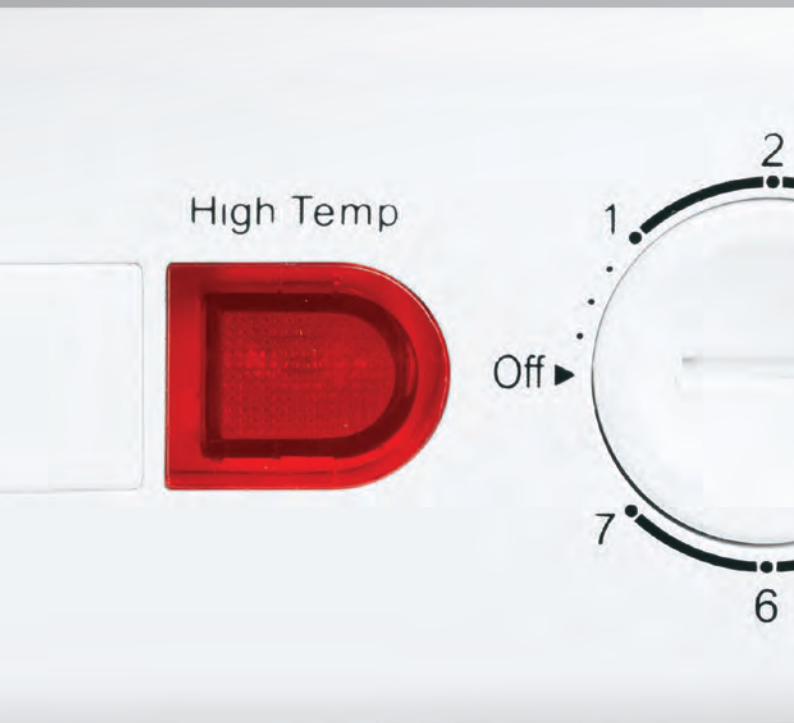
ADJUSTABLE THERMOSTAT

Ensures accurate storage temperatures at the turn of a dial.



HIGH TEMP INDICATOR LIGHT

This reliable alert lets you know if the internal temperature rises.



EASY-ACCESS DEFROST DRAIN

A front-facing drain is designed to make defrosting quick and effortless.



KNOCKS FOOD OUT COLD.

CHEST FREEZERS



HCM7SM 7.1 CU. FT. MANUAL DEFROST CHEST FREEZER

- "Power On" indicator light
- Easy-access defrost drain
- Removable basket

HCM7SMWW - White



HCM4SM 3.6 CU. FT. MANUAL DEFROST CHEST FREEZER

- "Power On" indicator light
- Easy-access defrost drain
- Removable basket

HCM4SMWW - White



WRAPAROUND EVAPORATOR

Maintain consistent temperatures with an evaporator that's designed to provide reliable cooling throughout the compartment.

Not all features available on all models.
See page 50 for ADA requirements.

"POWER ON" INDICATOR LIGHT

A bright indicator light shows that the freezer is operating with just a glance.



COOKING



TOUGHER ◆ THAN ◆ THANKSGIVING

Big family gatherings are fun. Especially when everyone is treated to their favorite foods, perfectly prepared. But after a hearty meal, no one feels like scrubbing messy appliances. That's why Hotpoint® cooking products are built to handle a large feast, and engineered to make cleanup quick and easy as you go. Now you can spend more time catching up and less time wiping down.

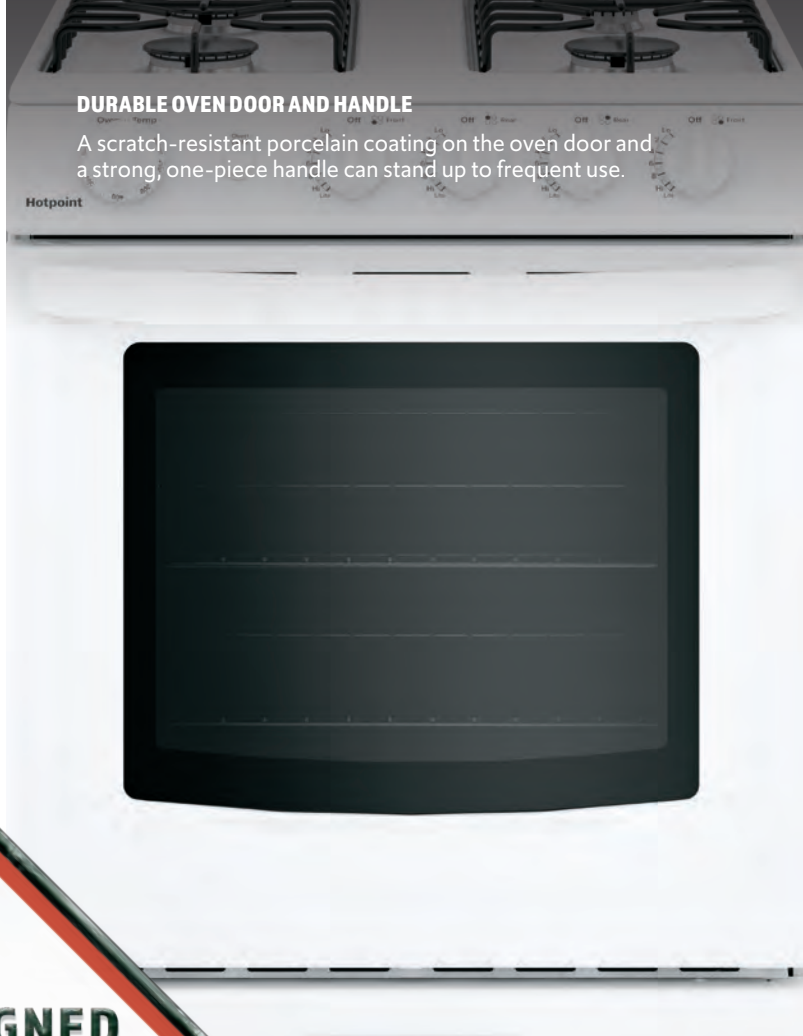
HEAVY STEEL GRATES

High-grade steel grates provide years of dependable, long-lasting performance.



DURABLE OVEN DOOR AND HANDLE

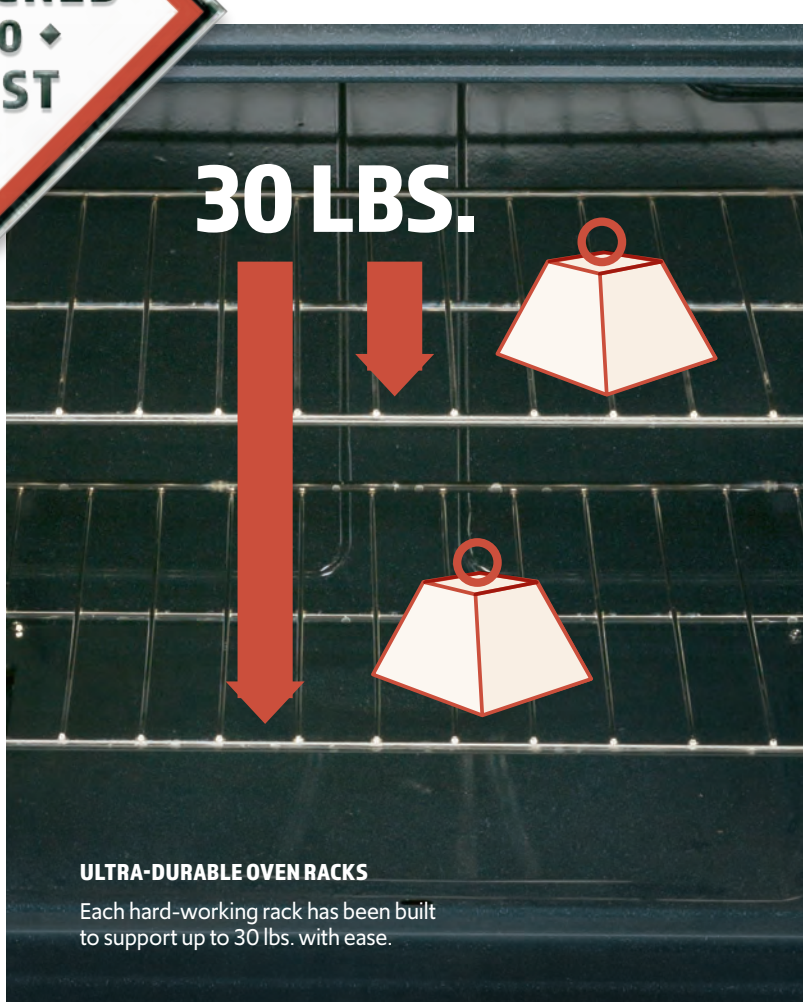
A scratch-resistant porcelain coating on the oven door and a strong, one-piece handle can stand up to frequent use.



BROILER DRAWER

A powerful broiler provides even heat to achieve perfectly browned results.

30 LBS.



ULTRA-DURABLE OVEN RACKS

Each hard-working rack has been built to support up to 30 lbs. with ease.

TURN UP THE HEAT ON TOUGHNESS.

GAS RANGES



RGBS400DM 30" FREE-STANDING GAS RANGE

- Standard clean oven
- 4.8 cu. ft. oven capacity
- Sealed cooktop burners
- Porcelain upswept cooktop
- Heavy steel grates
- Two oven racks
- One-piece durable handle
- Broiler drawer

RGBS400DMWW – White
RGBS400DMBB – Black



RGBS300DM 30" FREE-STANDING GAS RANGE

- Standard clean oven
- 4.8 cu. ft. oven capacity
- Sealed cooktop burners
- Porcelain upswept cooktop
- Heavy steel grates
- Two oven racks
- One-piece durable handle
- Broiler drawer

RGBS300DMWW – White
RGBS300DMBB – Black



Not all features available on all models
See page 50 for ADA requirements.



RGBS200DM
30" FREE-STANDING GAS RANGE

- Cordless battery ignition
- 4.8 cu. ft. oven capacity
- Sealed cooktop burners
- Standard clean oven
- Porcelain upswept cooktop
- Heavy steel grates
- Two oven racks
- One-piece durable handle
- Large window

RGBS200DMWW - White



RGBS100DM
30" FREE-STANDING GAS RANGE

- Standard clean oven
- 4.8 cu. ft. oven capacity
- All-purpose burners
- Porcelain upswept cooktop
- Lift-up cooktop
- Easy-clean subtop
- Standard grates
- Two oven racks
- One-piece durable handle
- Broiler drawer

RGBS100DMWW - White



RGAS300DM
24" FREE-STANDING GAS RANGE

- Front controls
- Electronic pilotless ignition
- Porcelain oven door
- Sealed cooktop burners
- Two oven racks and multiple rack positions
- One-piece durable handle
- Large window
- Standard clean oven

RGAS300DMWW - White



RGAS200DM
20" FREE-STANDING GAS RANGE

- Front controls
- Electronic pilotless ignition
- Porcelain oven door
- Sealed cooktop burners
- Two oven racks and multiple rack positions
- Broiler drawer
- Standard clean oven

RGAS200DMWW - White



SENSI-TEMP TECHNOLOGY

This powerful coil includes an added safety feature that meets UL858 Household Electric Ranges Standard for Safety.



TWO OVEN RACKS

Tough, durable racks are built to accommodate cookware of any size or type.



**STRONG
AND
DURABLE**



BUILT TOUGH

The durable oven door passes 25,000 open and close tests.

PORCELAIN UPSWEPT COOKTOP

Raised edges contain spills while the overall surface is easy to wipe clean.



TAKE TOTAL CONTROL OF FAVORITE FOODS. ELECTRIC RANGES



RBS360DM 30" FREE-STANDING ELECTRIC RANGE

- Standard clean oven
- Sensi-Temp Technology
- Electronic clock and timer
- Standard window
- Porcelain upswept cooktop
- Chrome drip bowls
- Two oven racks
- 5.0 cu. ft. oven capacity
- Removable full-width storage drawer
- Cooktop "On" indicator light

RBS360DMWW – White
RBS360DMBB – Black



RBS160DM 30" FREE-STANDING ELECTRIC RANGE

- Standard clean oven
- Sensi-Temp Technology
- Porcelain upswept cooktop
- Drip bowls
- Two oven racks
- Removable full-width storage drawer
- 5.0 cu. ft. oven capacity
- 4-pass broil element/in-oven broiling
- Visor handle
- Cooktop "On" indicator light

RBS160DMWW – White
RBS160DMBB – Black

Not all features available on all models
See page 50 for ADA requirements.

ELECTRIC RANGES



RAS300DM 24" FREE-STANDING ELECTRIC RANGE

- Front controls
- Sensi-Temp Technology
- Lift-up cooktop
- Two oven racks
- Standard clean oven
- One-piece durable handle
- Chrome drip bowls
- Standard window
- Storage Drawer
- Element "On" indicator light

RAS300DMWW – White



RAS240DM 24" FREE-STANDING ELECTRIC RANGE

- Front controls
- Sensi-Temp Technology
- Lift-up cooktop
- Two oven racks
- Standard clean oven
- One-piece durable handle
- Chrome drip bowls
- Standard window
- Element "On" indicator light

RAS240DMWW – White



RAS200DM 20" FREE-STANDING ELECTRIC RANGE

- Front controls
- Sensi-Temp Technology
- Lift-up cooktop
- Two oven racks
- Standard clean oven
- One-piece durable handle
- Chrome drip bowls

RAS200DMWW – White



OVER-THE-RANGE MICROWAVE OVEN



RVM5160DH 1.6 CU. FT. CAPACITY OVER-THE-RANGE MICROWAVE OVEN

- Convenience cooking controls
- Weight and time defrost
- Turntable
- Two-speed, 300-CFM venting system

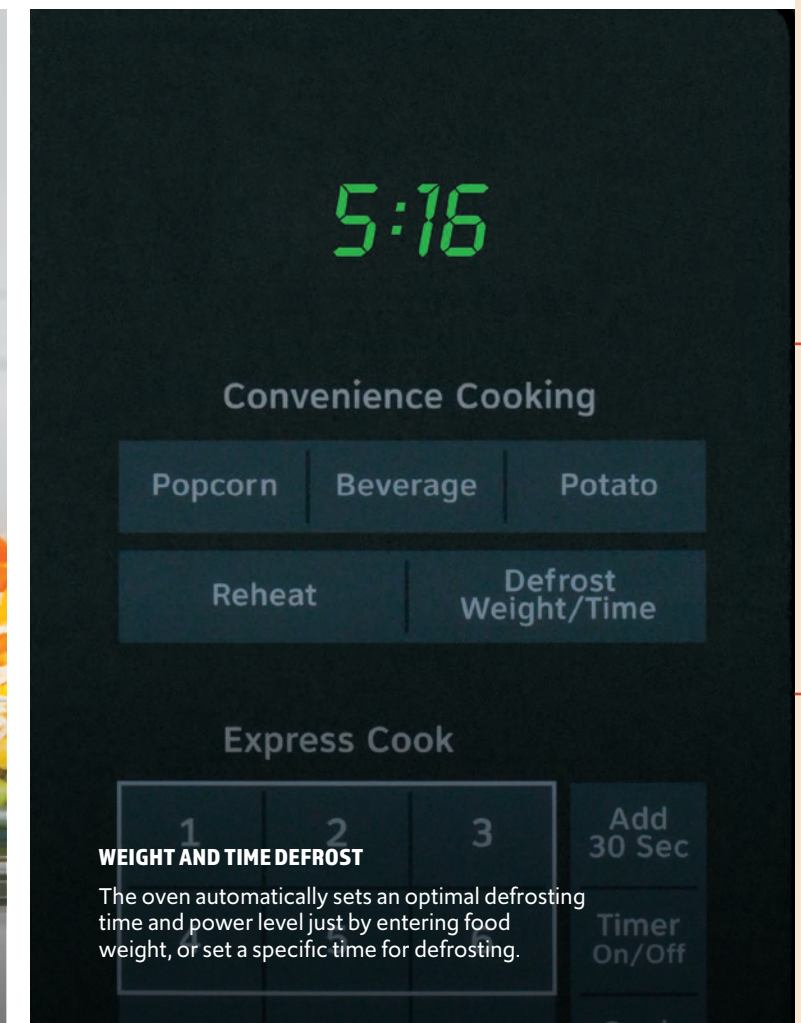
RVM5160DHWW – White

RVM5160DHBB – Black



1.6 CU. FT. CAPACITY

Robust interior space easily handles larger foods or multiple items.



Convenience Cooking

Popcorn Beverage Potato

Reheat Defrost Weight/Time

Express Cook

1 2 3 Add 30 Sec

WEIGHT AND TIME DEFOST

The oven automatically sets an optimal defrosting time and power level just by entering food weight, or set a specific time for defrosting.

Timer On/Off



TOUGHER ◆ THAN ◆ LASAGNA

Today's kitchens need to stand up to tough challenges every single day. That's why Hotpoint® dishwashers are built to be 24/7 workhorses. Now even the most baked-on, caked-on, left-in-the-sink-since-breakfast messes won't stand a chance. And the days of scrubbing and pre-soaking are over. You'll love seeing your dirtiest dishes come out completely clean from this rugged, American-made dishwasher.

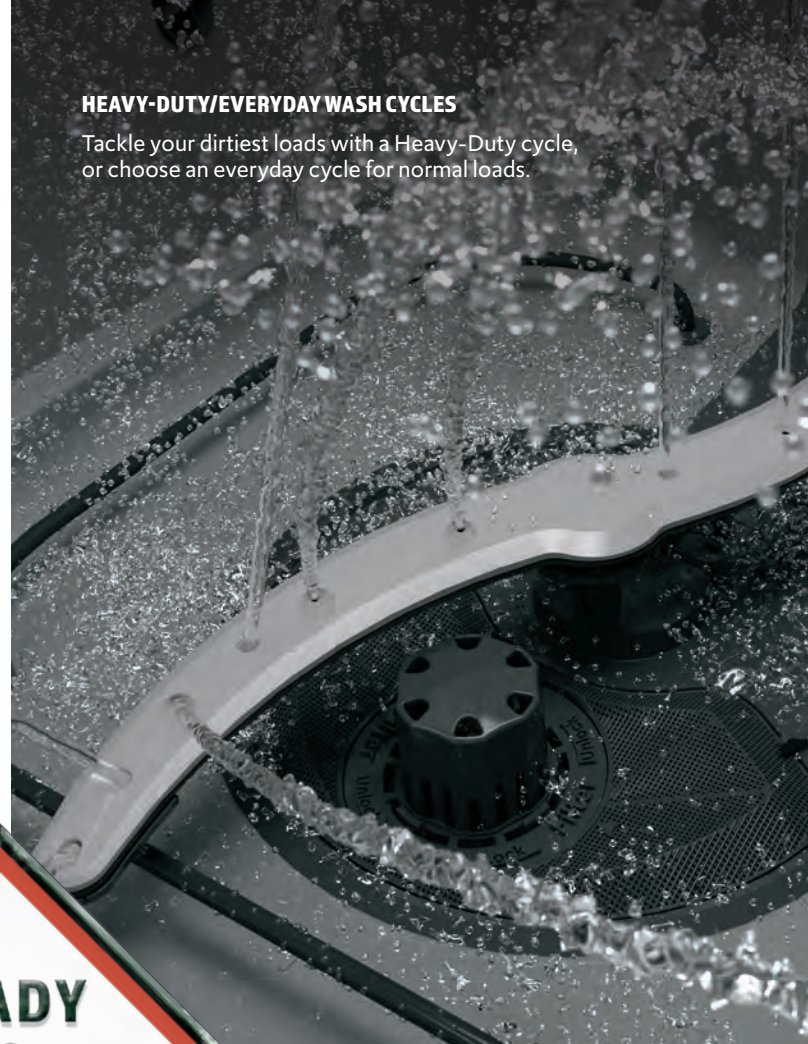
WASHED AND DRY DISHES

This dishwasher includes powerful wash and dry cycles, so dishes come out clean and ready to put away.



HEAVY-DUTY/EVERYDAY WASH CYCLES

Tackle your dirtiest loads with a Heavy-Duty cycle, or choose an everyday cycle for normal loads.



**READY
◆ TO ◆
WORK**



ACTIVE FLOOD PROTECT

PREVENTS POTENTIAL FLOODING

HARD-FOOD DISPOSER

The Piranha™ hard-food disposer uses stainless steel impellers rotating at 3,600 RPM to pulverize food particles.



ACTIVE FLOOD PROTECT

A reliable sensor detects when water is too high, then pumps it out until a safe level is reached and an overflow is prevented.

LOADS AND LOADS OF RELIABILITY.

DISHWASHERS



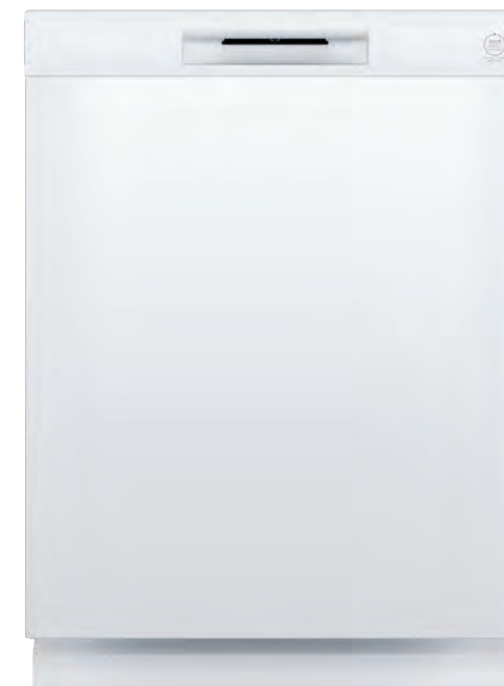
HDA2100H STANDARD TUB DISHWASHER

- 2-stage filtration with extra-fine filter
- Piranha hard-food disposer
- Hot Start option
- Water Saver cycle
- Heavy Wash cycle
- Rinse Only cycle
- 5 cycles/2 options

HDA2100HWW - White
HDA2100HBB - Black
HDA2100HCC - Bisque



This model will discontinue in April 2022.



HDF310PGR ONE BUTTON DISHWASHER WITH PLASTIC INTERIOR

- Reliable performance
- Active Flood Protect
- One-button cycle operation
- Completely washed and dried dishes
- Heavy-duty/everyday wash cycles
- Hard-food disposer
- 60 dBA dishwasher

HDF310PGRWW - White
HDF310PGRBB - Black



*Not all features available on all models
See page 50 for ADA requirements.*



CLOTHES CARE

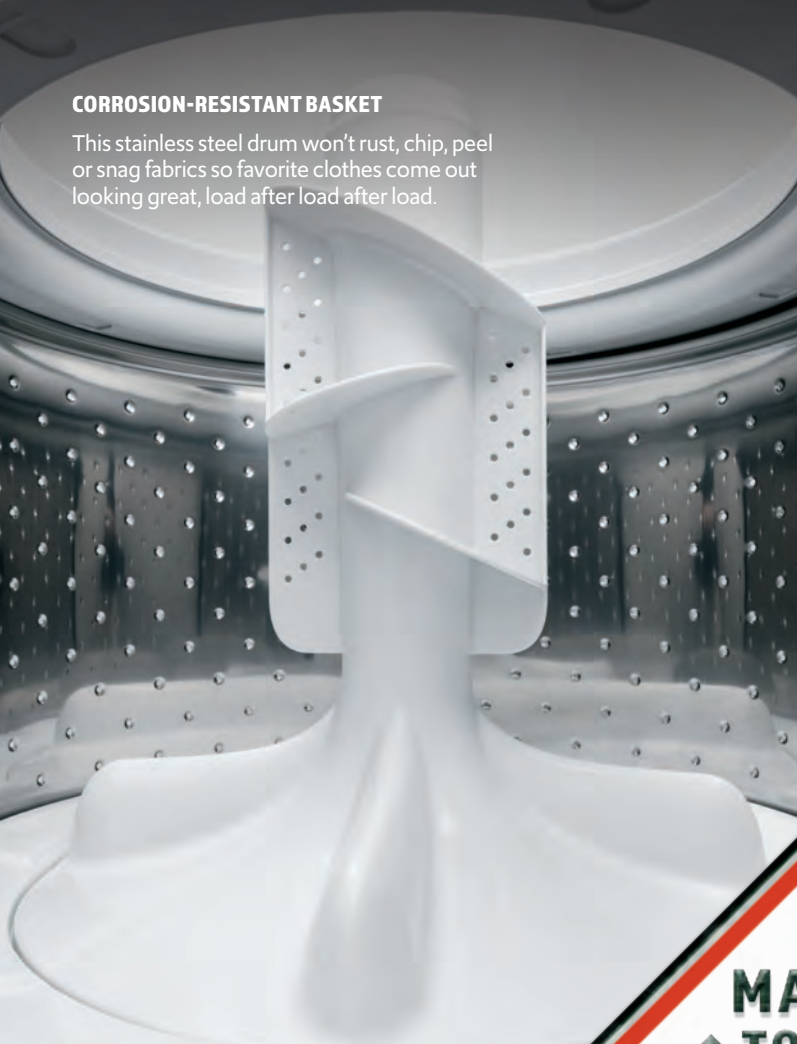


TOUGHER ◆ THAN ◆ MUD

We know that in your house, every day is laundry day. That's why Hotpoint® washers and dryers are built to tackle the meanest, grasiest, ground-in stains without a second thought. Now even hand-me-downs can look great again, at least for a little while.

CORROSION-RESISTANT BASKET

This stainless steel drum won't rust, chip, peel or snag fabrics so favorite clothes come out looking great, load after load after load.



**MADE
TO BE
TOUGH**

HEAVY-DUTY AGITATOR

Powerful wash action rotates your laundry for a thorough clean every time.



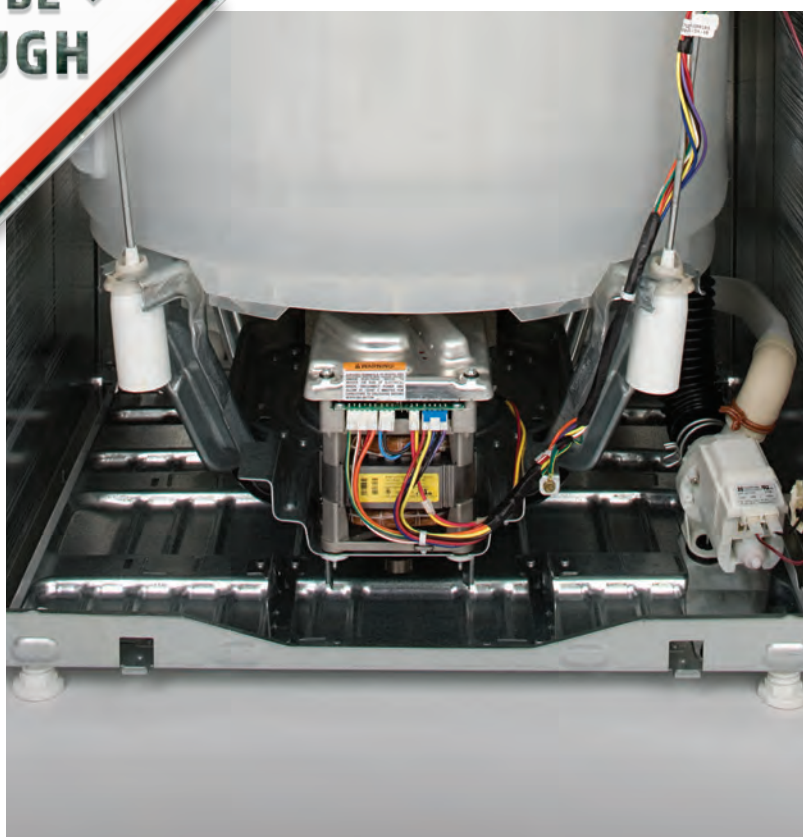
3.8 CU. FT. WASHER CAPACITY

Get more laundry done in less time with an increased capacity drum that's been tested with 4,000 continuous large cycle loads.



AUTO-BALANCE SUSPENSION SYSTEM

Even with heavy loads, like towels or comforters, these washers and dryers will hold their ground without banging or shaking.



RUGGED ON STAINS, GENTLE ON FABRICS.

CLOTHES CARE



HTW24OASK 3.8 CU. FT. CAPACITY WASHER

- Stainless steel basket
- Heavy-duty agitator
- PreciseFill with the option of 4 water level selections
- Load Size
- Deep Rinse
- Bleach dispenser
- Rotary electronic controls with cycle status lights
- 700 RPM spin speed

HTW24OASKWS – White (with Gray Backsplash)



HTX24EASK 6.2 CU. FT. CAPACITY ELECTRIC DRYER

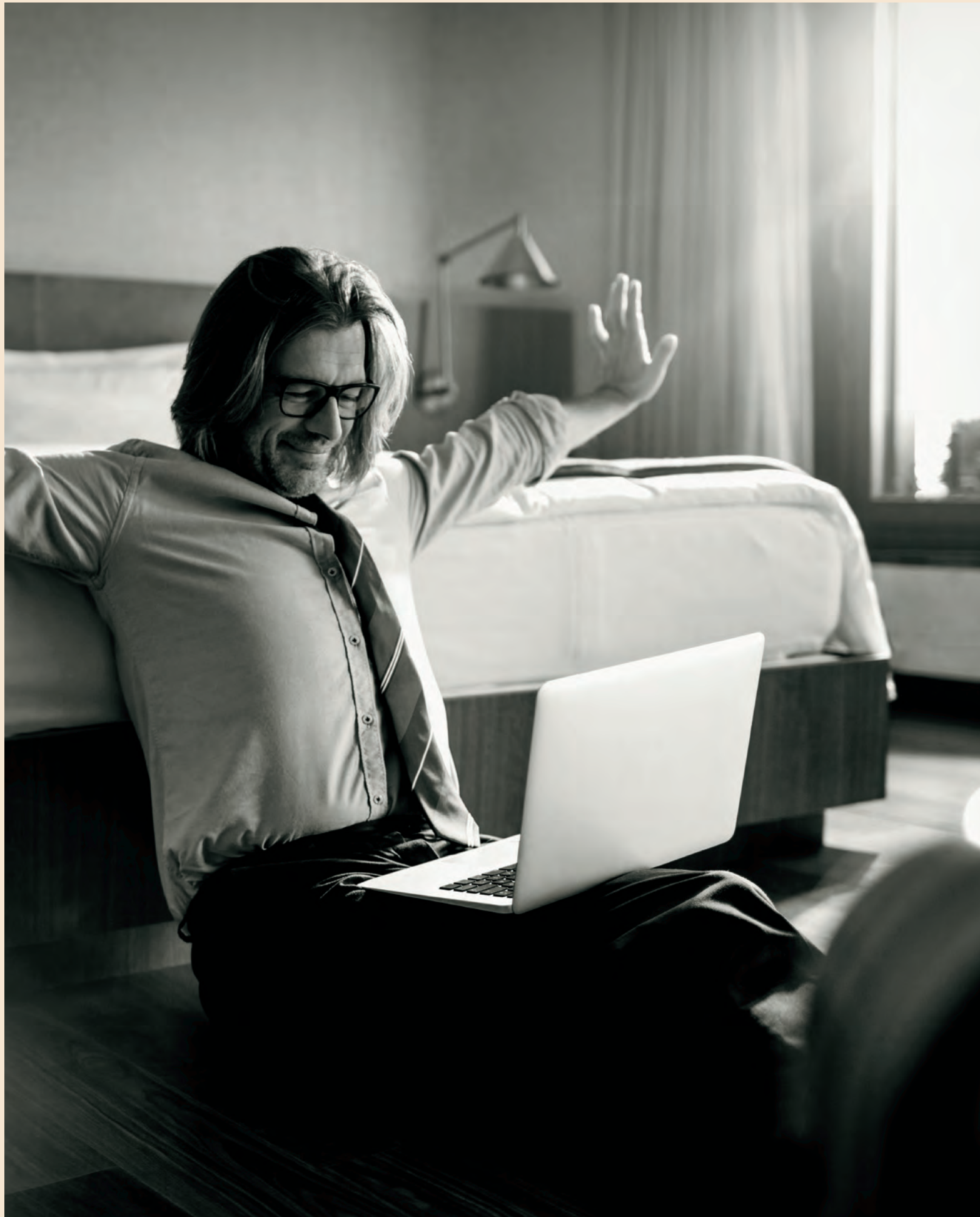
- Aluminized alloy drum
- Auto Dry
- Up to 120-ft. venting installation
- 3 heat selections
- Delicate cycle
- Rotary electromechanical controls
- Upfront lint filter
- End-of-cycle signal
- Reverse-a-door

HTX24EASKWS – White (with Gray backsplash)

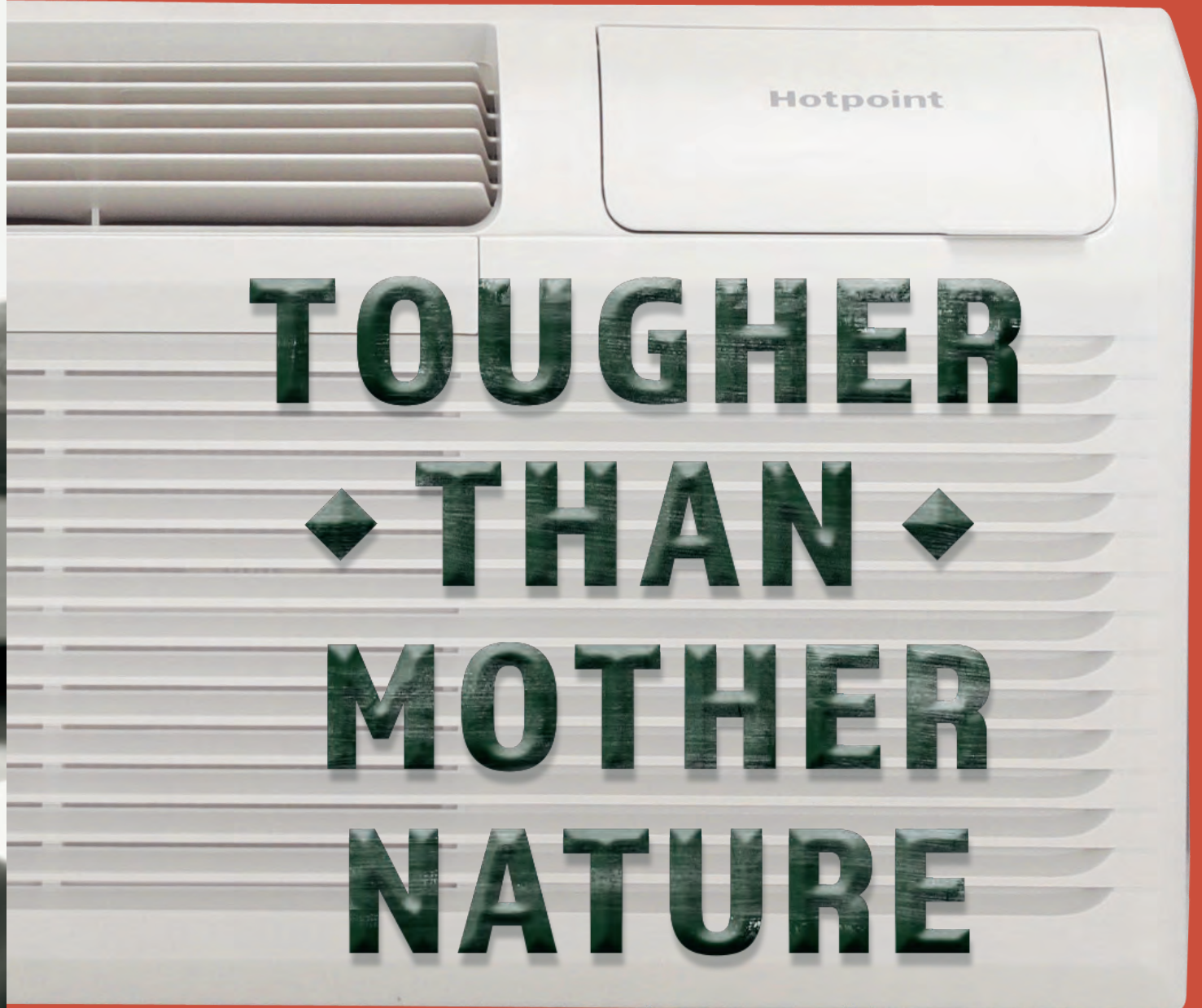
ALSO AVAILABLE IN GAS MODEL

HTX24GASKWS – White (with Gray backsplash)

Not all features available on all models
See page 50 for ADA requirements.



COMFORT PRODUCTS



TOUGHER ◆ THAN ◆ MOTHER NATURE

You need comfort products that can stand up to the harshest temperatures while making life easier for you. That's why dependable units from Hotpoint® are built to enhance comfort, and simplify installation & maintenance. And—after extensive product testing from our engineers—you can expect these durable Hotpoint PTACs to provide years of reliable service, no matter the weather conditions.

4 TEMPERATURE-LIMITING OPTIONS

Reliably maintain peak efficiency and total customer comfort with four temperature ranges.



AUTOMATIC EMERGENCY HEAT

Built to keep guests comfortable with a heating option that automatically kicks in when temperatures drop and heat pumps shut down.



**NEVER
BACKS
DOWN**



FREEZE AND FROST PROTECTION

Even during harsh weather, a durable indoor frost control keeps units operating in peak condition.

AUTO POWER RECOVERY

In case of power failures, units automatically resume their operation when power restores, reducing maintenance calls.



COMFORT IN TOUGH ENVIRONMENTS.

COMFORT PRODUCTS



AIR CONDITIONERS WITH ELECTRIC RESISTANCE HEAT – 230/208 VOLT

AH11E07D2B

- 7,200/7,000 BTUH
- 11.9 EER
- 2,535/2,080 Heater Watts

AH11E07D3B

- 7,200/7,000 BTUH
- 11.9 EER
- 3,535/2,900 Heater Watts

AH11E09D2B

- 9,200/9,000 BTUH
- 11.3 EER
- 2,535/2,080 Heater Watts

AH11E09D3B

- 9,200/9,000 BTUH
- 11.3 EER
- 3,535/2,900 Heater Watts

AH11E12D3B

- 12,000/11,800 BTUH
- 10.7 EER
- 3,525/2,900 Heater Watts

AH11E12D5B

- 12,000/11,800 BTUH
- 10.7 EER
- 5,035/4,125 Heater Watts

AH11E15D3B

- 14,500/14,400 BTUH
- 9.7 EER
- 3,535/2,900 Heater Watts

AH11E15D5B

- 14,500/14,400 BTUH
- 9.7 EER
- 5,035/4,125 Heater Watts

HEAT PUMPS WITH ELECTRIC RESISTANCE HEAT BACKUP – 230/208 VOLT

AH11H07D2B

- 7,200/6,800 Cooling BTUH
- 11.9 EER
- 6,000/5,800 Heating HP BTUH
- 3.4 COP*
- 2,535/2,080 Heater Watts

AH11H07D3B

- 7,200/6,800 Cooling BTUH
- 11.9 EER
- 6,000/5,800 Heating HP BTUH
- 3.4 COP*
- 3,535/2,900 Heater Watts

AH11H09D2B

- 9,000/8,800 Cooling BTUH
- 11.4 EER
- 8,100/7,900 Heating HP BTUH
- 3.4 COP*
- 2,535/2,080 Heater Watts

AH11H09D3B

- 9,000/8,800 Cooling BTUH
- 11.4 EER
- 8,100/7,900 Heating HP BTUH
- 3.4 COP*
- 3,535/2,900 Heater Watts

AH11H12D3B

- 12,000/11,800 Cooling BTUH
- 10.5 EER
- 10,800/10,500 Heating HP BTUH
- 3.2 COP*
- 3,535/2,900 Heater Watts

AH11H12D5B

- 12,000/11,800 Cooling BTUH
- 10.5 EER
- 10,800/10,500 Heating HP BTUH
- 3.2 COP*
- 5,035/4,125 Heater Watts

AH11H15D3B

- 14,700/14,500 Cooling BTUH
- 9.7 EER
- 13,500/13,200 Heating HP BTUH
- 3.0 COP*
- 3,535/2,900 Heater Watts

AH11H15D5B

- 14,700/14,500 Cooling BTUH
- 9.7 EER
- 13,500/13,200 Heating HP BTUH
- 3.0 COP*
- 5,035/4,125 Heater Watts

COMING SOON

HEAT PUMPS WITH ELECTRIC RESISTANCE HEAT BACKUP – 265 VOLT

AH11H09E3B

- 9,000 BTUH
- 11.3 EER
- 8,100 Heating HP BTUH
- 3.3 COP*
- 3,535 Heater Watts

AH11H12E3B

- 12,000 BTUH
- 10.5 EER
- 10,800 Heating HP BTUH
- 3.2 COP*
- 3,535 Heater Watts

*Coefficient of Performance
See page 50 for ADA requirements
Not all features available on all models

REFRIGERATION SPECIFICATIONS

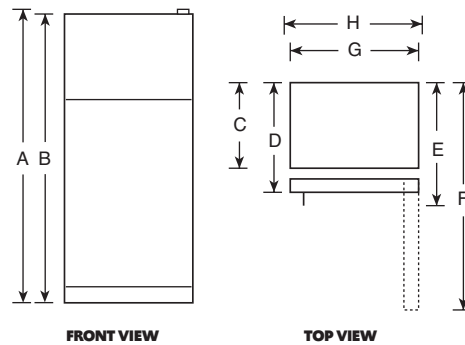
TOP-FREEZER REFRIGERATORS	HPS18BTN	HPE16BTN	HPS16BTN
ENERGY STAR® certified		◆	◆
ADA compliant		◆	◆
CAPACITY			
Total (cu. ft.)	175	15.6	15.6
Fresh food (cu. ft.)	13.51	11.58	11.58
Freezer (cu. ft.)	4.04	4.04	4.04
FRESH FOOD FEATURES			
Upfront temperature controls	◆	◆	◆
Cabinet shelves			
Adjustable	2 full-width wire	2 full-width wire	2 full-width wire
Drawers			
Fixed door shelves	2 full-width with gallon storage	2 full-width with gallon storage	2 full-width with gallon storage
Dairy compartment	◆	◆	◆
Interior light system	iLED	iLED	iLED
Never Clean condenser	◆	◆	◆
FREEZER FEATURES			
Factory-installed icemaker	Otp (IM4D, IM4LED)	Otp (IM4D, IM4LED)	Otp (IM4D, IM4LED)
Spillproof freezer floor	◆	◆	◆
Wire freezer compartment shelves	1 full-width	1 full-width	1 full-width
Fixed door bins	2 clear	2 clear	2 clear
Fixed door shelves	2	2	2
APPEARANCE			
Color(s) available*	WW, BB	WW, BB	WW, BB
Door handles*	CM pocket	CM pocket	CM pocket
Exterior design	Rounded doors	Rounded doors	Rounded doors
Textured steel case	Color-matched	Color-matched	Color-matched
Reversible doors	◆	◆	◆
Choose right or left door opening			
Adjustable rollers			
WEIGHTS & DIMENSIONS			
Height to top of hinge (in.) A	67-3/8	61-3/4	61-3/4
Height to top of case (in.) B	66-7/8	61-1/4	61-1/4
Case depth without door (in.) C	26-5/8	26-3/4	26-3/4
Case depth less door handle (in.) D	30-1/2	30-1/2	30-1/2
Case depth with door handle (in.) E	30-1/2	30-1/2	30-1/2
Depth w/fresh food door open 90° (in.) F	57	57	57
Width (in.) G	28	28	28
Width w/door open 90° with door handle (in.) H			
Each side (in.)	3/4	3/4	3/4
Top (in.)	1	1	1
Air clearances			
Back (in.)	2	1	1
Approx. shipping weight (lbs.)	226	164	164
Power/Rating	115V; 60Hz; 15A	115V; 60Hz; 15A	115V; 60Hz; 15A

*Color(s) available: WW=White, CC=Bisque, BB=Black, CM=Color-matched.

**Available in right-hand door swing only.

ALL MODELS AVAILABLE IN U.S. AND CANADA.

Top-Freezer Refrigerators



NOTE:
All Top-Freezer Right-Hand Refrigerator Doors:
 As you face the front of the refrigerator, the handle is on your left and the hinges are on your right.
All Top-Freezer Left-Hand Refrigerator Doors:
 As you face the front of the refrigerator, the handle is on your right and the hinges are on your left.



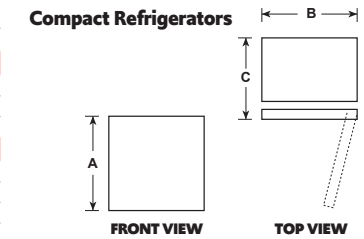
REFRIGERATION SPECIFICATIONS

COMPACT REFRIGERATORS	HME03GGM	HME02GGM
ENERGY STAR certified	◆	◆
CAPACITY		
Total (cu. ft.)	1.7	2.7
Fresh food (cu. ft.)	1.48	2.34
Freezer (cu. ft.)	0.18	0.32
FEATURES		
Ice trays	1 mini	1 mini
Defrost	Manual	Manual
Cabinet shelves	1 glass	2 glass
Can rack		◆
Door shelves	1 full-width; 1 half-width	1 full-width; 1 half-width
Freezer compartment	Half-width freezer compartment	◆
EXTERIOR		
Color(s) available*	WW, BB	WW, BB
Handle	Color-matched recessed	Color-matched recessed
WEIGHTS & DIMENSIONS		
Height (in.) A	19-1/2	27-7/8
Width (in.) B	17-3/8	19
Depth with handle (in.) C	19	17-3/4
Air clearances		
Each side (in.)	2	2
Back (in.)	2	2
Approx. shipping wt. (lbs.)	39	49

*Color(s) available: WW=White, BB=Black.

**Available in right-hand door swing only.

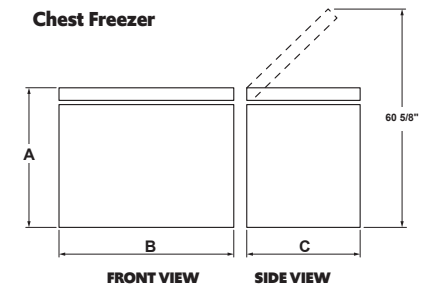
ALL MODELS AVAILABLE IN U.S. AND CANADA.



The unit should be placed with a 2" air clearance at the back wall and side walls and a 1/2" air clearance at the top.

CHEST FREEZERS	HCM75M	HCM45M
CAPACITY		
Total volume (cu. ft.)	71	3.6
FEATURES		
Manual defrost	◆	◆
Temperature control	Adjustable	Adjustable
Power "ON" light	◆	◆
Wraparound condenser	◆	◆
Wraparound evaporator	◆	◆
Upfront defrost water drain	◆	◆
Interior lighting	LED	LED
Lift-out, sliding bulk storage basket(s)	1	1
ECONOMICAL / QUIET		
Insulation (cabinet and lid)	Foam	Foam
Cabinet liner	Textured aluminium	Textured aluminium
EXTERIOR		
Colors available	White	White
Handle	Recessed	Recessed
WEIGHTS & DIMENSIONS		
Height (in.) A	33-1/4	33-1/4
Width (in.) B	37	22-1/2
Depth (in.) C	21-5/8	21-5/8
Height with lid open (in.) D	52-1/8	52-1/8
Air clearances		
Each side (in.)	3	3
Back (in.)	3	3
Approx. shipping wt. (lbs.)	85	64
Power/Rating	115V; 60Hz; 17A	115V; 60Hz; 17A

ALL MODELS AVAILABLE IN U.S. AND CANADA.



The unit should be placed with a 2" air clearance at the back wall and side walls.



GAS RANGE SPECIFICATIONS

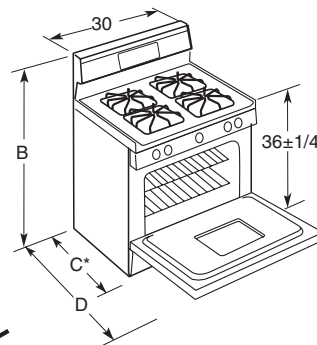
GAS RANGES	RGBS400DMWW/DMBB	RGBS300DMWW/DMBB	RGBS200DMWW	RGBS100DMWW/DMBB	RGAS300DMWW	RGAS200DMWW
Claims & Certifications	CSA California Prop 65	ADA Compliant CSA California Prop 65	ADA Compliant CSA California Prop 65	ADA Compliant CSA California Prop 65	ADA Compliant CSA	ADA Compliant CSA
FEATURES						
Oven cleaning	Standard clean	Standard clean	Standard clean	Standard clean	Standard clean	Standard clean
Oven capacity (cu. ft.)	4.8	4.8	4.8	4.8	2.9	2.3
Cooktop burners	Sealed	Sealed	Sealed	Standard	Sealed	Sealed
Burner - Left Front	9,500 BTU	9,500 BTU	9,500 BTU	9,100 BTU	9,500 BTU	9,500 BTU
Burner - Left Rear	9,500 BTU	9,500 BTU	9,500 BTU	9,100 BTU	9,500 BTU	9,500 BTU
Burner - Right Front	12,500 BTU	12,500 BTU	12,500 BTU	9,100 BTU	12,000 BTU	12,000 BTU
Burner - Right Rear	5,000 BTU Precise Simmer	5,000 BTU Precise Simmer	5,000 BTU Precise Simmer	9,100 BTU	5,000 BTU	5,000 BTU
Porcelain-enameled cooktop	◆	◆	◆	◆	◆	◆
Valves (degree of turn)	140	140	140	140	140	140
Cooktop burner grates	Heavy Steel	Heavy Steel	Heavy Steel	Steel	Porcelainized Wire	Porcelainized Wire
Ignition system	Electronic	Electronic	Cordless Ignition	Electronic	Electronic	Electronic
Oven racks	2	2	2	2	2	2
Rack positions	6	6	6	6	4	4
Interior oven light					Yes	
Configuration	Range with Broiler Drawer	Range with Broiler Drawer	Cordless Range with Broiler Drawer	Range with Broiler Drawer	Range with Broiler Drawer	Range with Broiler Drawer
Broiler drawer				Yes	1 Incandescent Blue Gray	Yes Blue Gray
Oven interior	1 Incandescent					
APPEARANCE						
Color appearance	White/Black	White/Black	White	White/Black	White	White
Frameless oven door	Black Glass	Black Porcelain-Enameled	White Glass	Black Porcelain-Enameled		
Handle color	Color-Matched	Color-Matched	Color-Matched	Color-Matched	Color-Matched	Color-Matched
Control knobs	Black	Black	White	Black	White	White
Cooktop burner grate color	Black Gloss	Black Gloss	Black Gloss	Black Gloss		
Slide-out broiler drawer	Drop-down door	Drop-down door	Drop-down door	Drop-down door		
WEIGHTS AND DIMENSIONS						
Approx. shipping weight (lbs.)	170	170	170	170	102	89
Oven interior dimensions (WxHxD in inches)	24 x 18-1/2 x 19	24 x 18-1/2 x 19	24 x 18-1/2 x 19	24 x 18-1/2 x 19	19 x 15-3/8 x 17-1/8	15 x 15-3/8 x 17-1/8
POWER/RATINGS						
Volts/Hz/Amps	120V; 60Hz; 15A	120V; 60Hz; 15A	Standard 9V battery	120V; 60Hz; 15A	120V; 60Hz; 5A	
Bake/broiler BTU rating - LP (000's BTUs)	16.0 Bake / 16.0 Broiler	16.0 Bake / 16.0 Broiler	16.0 Bake / 16.0 Broiler	16.0 Bake / 16.0 Broiler	13.0	13.0
Bake/broiler BTU rating - Nat. Gas (000's BTUs)	18.0 Bake / 18.0 Broiler	18.0 Bake / 18.0 Broiler	18.0 Bake / 18.0 Broiler	18.0 Bake / 18.0 Broiler	13.0	13.0
Top burner BTU rating - LP (000's BTUs)	(2) 9.5, (1) 12.0, (1) 5.0	(2) 9.5, (1) 12.0, (1) 5.0	(2) 9.5, (1) 12.0, (1) 5.0	(4) 8.0	(1) 12.0, (2) 9.5, (1) 5.0	(1) 12.0, (2) 9.5, (1) 5.0
Top burner BTU rating - Nat. Gas (000's BTUs)	(1) 12.5, (2) 9.5, (1) 5.0	(1) 12.5, (2) 9.5, (1) 5.0	(1) 12.5, (2) 9.5, (1) 5.0	(4) 9.1	(1) 12.0, (2) 9.5, (1) 5.0	(1) 12.0, (2) 9.5, (1) 5.0
ACCESSORIES						
LP Conversion Kit	Included	Included	Included	Included		Included

*WW=White with white door, BB=Black with black door.
Factory set for natural gas.

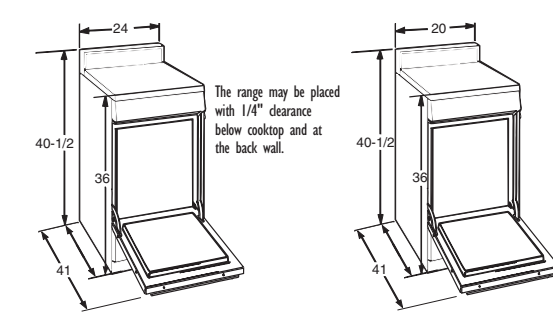
30" GAS RANGE DIMENSIONS AND INSTALLATION INFORMATION (INCHES)

Models	B Height	C* Depth	D Depth with door open
RGBS400	46-7/8	28-3/4	46-3/8
RGBS300	44-3/4	28-3/4	46-3/8
RGBS200	44-3/4	28-3/4	46-3/8
RGBS100	40-1/8	28-3/4	46-3/4
RGAS300	41-7/8	26-5/8	44-3/8
RGAS200	41-7/8	26-5/8	44-3/8

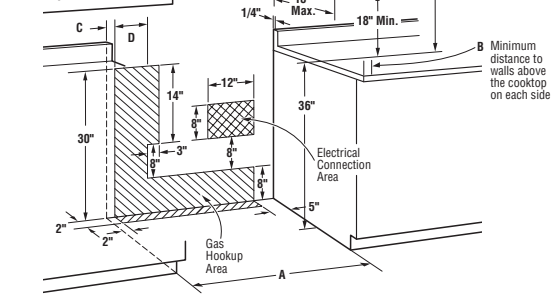
*Depth from wall to front of closed oven door.



24" AND 20" GAS RANGE DIMENSIONS AND INSTALLATION INFORMATION (INCHES)

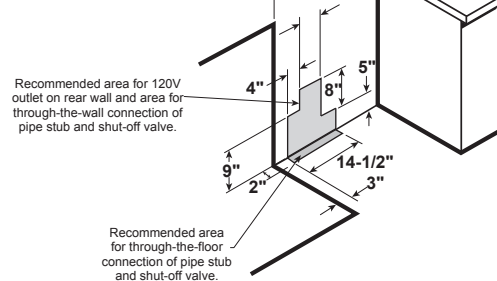


NOTE: Recommended gas hook-up locations behind range. Gas fittings and shut-off cock should NOT protrude more than 2" from the wall to allow the range to fit against the wall.



Installation information: Before installing, consult installation instructions packed with product for current dimensional data.

GAS PIPE AND ELECTRICAL OUTLET LOCATIONS



All Hotpoint ranges are equipped with an Anti-Tip device. The installation of this device is an important, required step in the installation of the range.



ELECTRIC RANGE SPECIFICATIONS

ELECTRIC RANGES	RBS360DMWW/DMBB	RBS160DMWW/DMBB	RAS300DMWW	RAS240DMWW	RAS200DMWW
Claims & Certifications			ADA Compliant UL	ADA Compliant	ADA Compliant UL
FEATURES					
Oven cleaning	Standard clean	Standard clean	Standard clean	Standard clean	Standard clean
Oven capacity (cu. ft.)	5.0	5.0	2.9	2.9	2.3
Oven racks	2	2	2	2	2
Porcelain-enameled upswept cooktop	Coil	Coil	Coil	Coil	Coil
Lift-up cooktop	◆	◆	◆	◆	◆
Element - Left Front	6" 1,250W Temp Limiting Coil	6" 1,250W Temp Limiting Coil	6" 1,250W Temp Limiting Coil	6" 1,250W Temp Limiting Coil	6" 1,250W Temp Limiting Coil
Element - Left Rear	8" 2,400W Temp Limiting Coil	6" 1,250W Temp Limiting Coil	6" 1,250W Temp Limiting Coil	6" 1,250W Temp Limiting Coil	6" 1,250W Temp Limiting Coil
Element - Right Front	8" 2,400W Temp Limiting Coil	8" 2,400W Temp Limiting Coil	8" 2,400W Temp Limiting Coil	8" 2,400W Temp Limiting Coil	8" 2,400W Temp Limiting Coil
Element - Right Rear	6" 1,250W Temp Limiting Coil	6" 1,250W Temp Limiting Coil	6" 1,250W Temp Limiting Coil	6" 1,250W Temp Limiting Coil	6" 1,250W Temp Limiting Coil
Removable one-piece drip bowls	Chrome	Black	Chrome	Chrome	Chrome
Electronic oven control	◆	◆	◆	◆	◆
Electronic clock and kitchen timer	◆	◆	◆	◆	◆
Auto oven shutoff	w/override				
Audible preheat signal	◆	◆	◆	◆	◆
Heating element "ON" indicator light	◆	◆	◆	◆	◆
APPEARANCE					
Color appearance	White/Black	White/Black	White	White	White
Handle color	Color-Matched	Color-Matched	Color-Matched	Color-Matched	Color-Matched
Full-width removable storage drawer	◆	◆	◆	◆	◆
WEIGHTS AND DIMENSIONS					
Approx. shipping weight (lbs.)	170	155	114	114	83
Oven interior dimensions (WxHxD in inches)	23-3/4 x 19 x 18-1/2	23-3/4 x 19 x 18-1/2	19 x 15-3/8 x 17-1/8	19 x 15-3/8 x 17-1/8	15 x 15-3/8 x 17-1/8
POWER/RATINGS					
KW rating @ 240V	10.1	10.1	9.3	9.3	9.3
Amp rating @ 240V/208V	8.7	8.0	7.2	7.2	7.2
Broiler/bake wattage	40	40	40	40	40
	3,410/2,585W	3,410/2,585W	2,400/2,000W	3,000/2,700W	2,400/2,000W

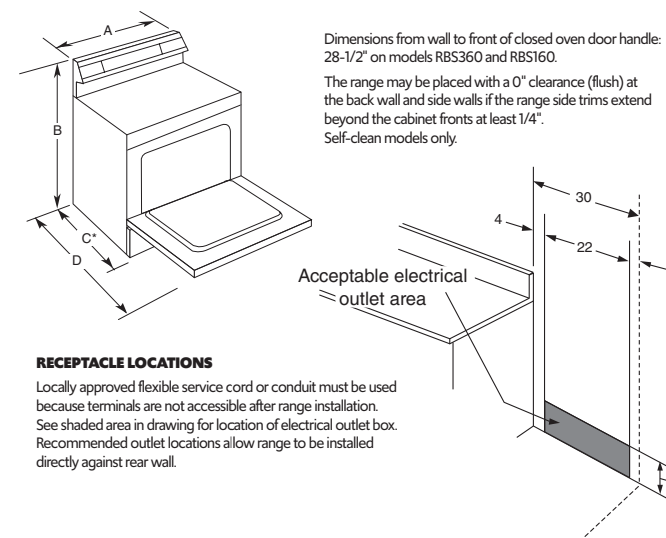
*WW=White with white door, BB=Black with black door.

30" ELECTRIC RANGE DIMENSIONS AND INSTALLATION INFORMATION (INCHES)

Models	A Width	B Height	C Depth	D Depth with door open
RBS360	30	26-3/4	28-3/4	46-3/4
RBS160	30	26-3/4	28-3/4	46-3/4

Dimensions from wall to front of closed oven door.

Note: 30" Electric Ranges conform to UL requirements for 0" spacing from walls below countertops. Allow 1-1/2" spacing from the side of the range to adjacent vertical walls above the cooktop surface.



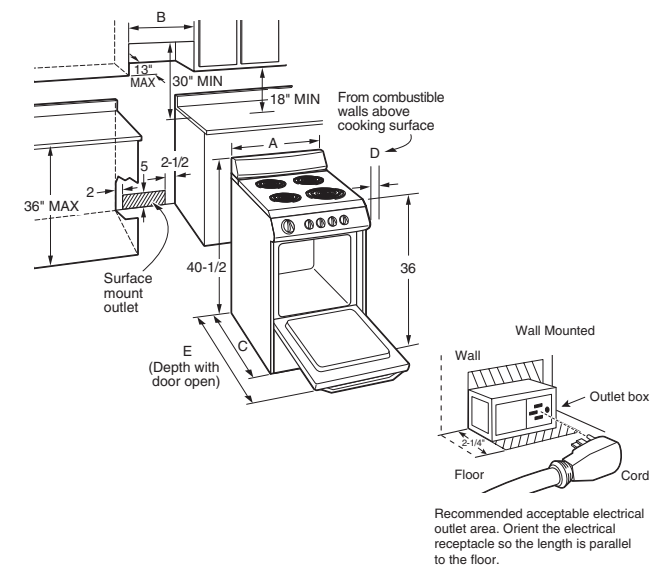
RECEPTACLE LOCATIONS

Locally approved flexible service cord or conduit must be used because terminals are not accessible after range installation. See shaded area in drawing for location of electrical outlet box. Recommended outlet locations allow range to be installed directly against rear wall.

24" AND 20" FREE-STANDING ELECTRIC RANGE DIMENSIONS AND INSTALLATION INFORMATION (INCHES)

Models	A Width	B Height	C Depth	D Depth with door open
RAS300	23-3/4	26-5/8	41-7/8	44-3/8
RAS240	23-3/4	26-5/8	41-7/8	44-3/8
RAS200	19-3/4	26-5/8	41-7/8	44-3/8

Note: 24" Ranges conform to UL requirements for 0" spacing from range to adjacent walls below countertop.



Recommended acceptable electrical outlet area. Orient the electrical receptacle so the length is parallel to the floor.

All Hotpoint ranges are equipped with an Anti-Tip device. The installation of this device is an important, required step in the installation of the range.

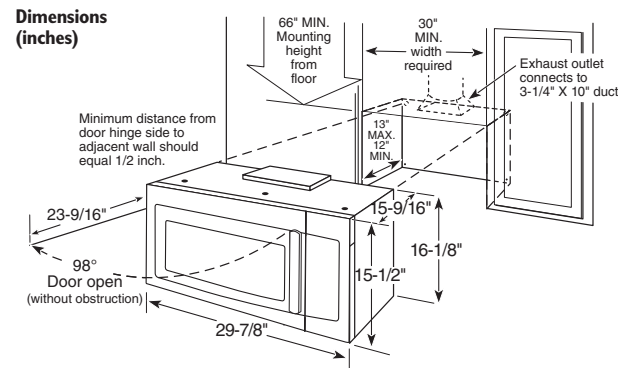


Installation information: Before installing, consult installation instructions packed with product for current dimensional data.

MICROWAVE OVEN SPECIFICATIONS

OVER-THE-RANGE MICROWAVE OVEN	RVM5160DHWW/DHBB
CAPACITY	
Capacity (cu. ft.)	1.6
Watts (IEC-705 Test Procedure)	1000
Cooking modes	◆
Factory set recirculation	Vented
CONVENIENCE CONTROLS	
Beverage	◆
Cook time	◆
Defrost: Weight/Time	◆
Popcorn	◆
Potato	◆
Reheat	◆
CONTROLS TOUCHPAD	
Add 30 seconds	◆
Electronic touch controls	◆
OVEN	
Interior/cooktop lighting	Incandescent
Turntable	◆
Turntable diameter (in.)	13-1/2
APPEARANCE	
Color appearance	White/Black
Case color	White/Black
Handle color	Color-matched
Handle design	Designer-style
Oven interior	Epoxy white
Touchpad*	WW, BB
WEIGHTS AND DIMENSIONS	
Oven interior dimensions (WxHxD in inches)	20-11/16 x 10-5/16 x 14-3/16
Approx. shipping weight (lbs.)	66
POWER/RATINGS	
Exhaust vent fan	300 CFM
Input Volt/Hertz	120/60
Input Amps/Watts (max)	15/1580
ACCESSORIES	
Recirculating charcoal filter kit (included)	WB02X35687
15" cabinetry bump out kit	JX15BUMPWW/BB

*WW=White on White, BB=Black on Black

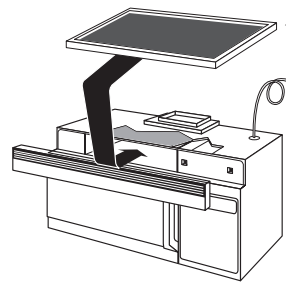


OVERALL EXTERIOR DIMENSIONS (INCHES)

Models	W	D	H	H (Rear)
RVM1560	29-7/8"	15-9/16"	15-1/2"	16-1/8"

Important: When installing the microwave oven over a range, allow minimum of 2" from bottom of microwave oven to top of range backguard to allow for removal of light covers.

Optional Accessories (Available at additional cost)



WB02X35687-RECIRCULATING CHARCOAL FILTER KIT
To be used when the microwave oven cannot be vented to the outside.

VENTILATION OPTIONS

The microwave oven is designed for adaptation for the following three types of ventilation:

- Outside Exhaust (Vertical)** - Delivered from factory in vertical position
- Outside Exhaust (Horizontal)**
- Recirculating (Non-vented ductless)**

Installation information: This information is not intended to be used for installing unit described. Before installing, consult installation instructions packed with product/kit for current dimensional data.



DISHWASHER SPECIFICATIONS

BUILT-IN DISHWASHER	HDA2100H ^{††}
Energy Factor (EF)	0.70
Normal wash gallons per cycle*	5
Kilowatt hours/year	307
FEATURES	
Wash levels	4
2-stage filtration	◆
Self-cleaning filter	◆
Hard-food disposer	Piranha™
Cycles/Options	5/2
Pots & Pans cycle	◆
Heavy Wash cycle	◆
Everyday Wash cycle	◆
Normal Wash cycle	◆
Water Saver cycle	◆
Plate Warmer cycle	◆
Rinse Only cycle	◆
Heated Dry	Switch
Hi-Temp Wash	◆
Control type	Dial w/rocker switch
Touchpads	◆
Cycle progress indicator	◆
Rack	Standard
Silverware basket	Deluxe
Solid surface install kit	GPF65
Rinse aid dispenser	◆
Door latch	Center-throw
QUIET	
Sound insulation package**	64 dBA
Sub insulation—blanket	◆
APPEARANCE	
Color appearance [†]	WW/CC/BB
Door	Trimless
Access	Trimless
WEIGHTS & DIMENSIONS	
Height w/legs retracted (in.)	34
Overall width (in.)	24
Overall depth (in.)	25-3/4
Approx. shipping wt. (lbs.)	70

*Based on DOE test procedure, ANSI/AHAM DW-1.
**dBA levels based on Owens-Corning IEC-60704 lab testing, 2009-2010.
†WW=White on White, CC=Bisque on Bisque, BB=Black on Black.
††This model will discontinue in April 2022.



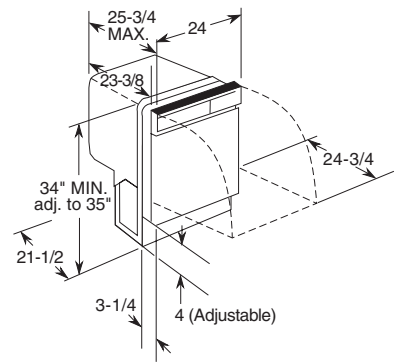
DISHWASHER ACCESSORIES	PLASTIC STANDARD TUB
GPF10S—10' drain hose for standard tub	◆
GPF65—Solid-surface installation kit	◆

Installation information: Before installing, consult installation instructions packed with product for current dimensional data.

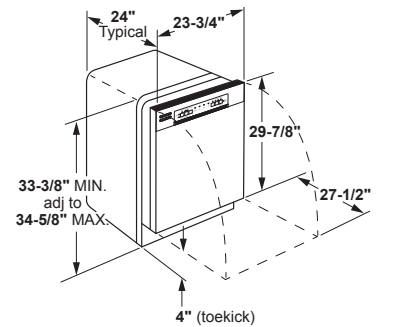
BUILT-IN DISHWASHER	HDF310P
Energy Factor (EF)	0.70
Normal wash gallons per cycle*	5.0
Kilowatt hrs./yr.	307
Optional (requires part no. PBX23W00Y0)	
FEATURES	
WiFi	◆
Interior	Gray Plastic
Door liner	Gray Plastic
Tub liner	Gray Plastic
Place settings	Up to 12
Front appearance	Front control
Wash system	◆
Water filtration	100% with removable filter
Hard-food disposer	Piranha
Wash levels	2
Automatic temp. control	◆
Hot Start	◆
Rinse Aid dispenser	Rinse Aid
Touchpads	1
Cycles/Options	2
Last cycle memory	◆
Cycles	Heavy Wash/Everyday
Racking	◆
Rack finish	Silver
Ball-tip tines	◆
Upper rack	Standard
Lower rack	◆
Angled tines	◆
Silverware basket	1-pc. silverware basket
Handle color	Color-matched
Handle design	Integrated
DRY	
Calrod heating element	◆
QUIET	
Sound insulation package**	60 dBA
Sub insulation—blanket	◆
INSTALLATION	
Built-up-floor capable	◆
Top-/side-mount	◆
Optional cord kit	GPFCORD (6' power cord)
FLOOR PROTECTION	
Active Flood Protect	◆
DIMENSIONS	
Dimensions HxWxD (in.)	33-3/8 x 23-3/4 x 24
Approx. shipping wt. (lbs.)	65

*Based on DOE test procedure, ANSI/AHAM DW-1.
**dBA levels based on Owens-Corning IEC-60704 lab testing, 2009-2010.

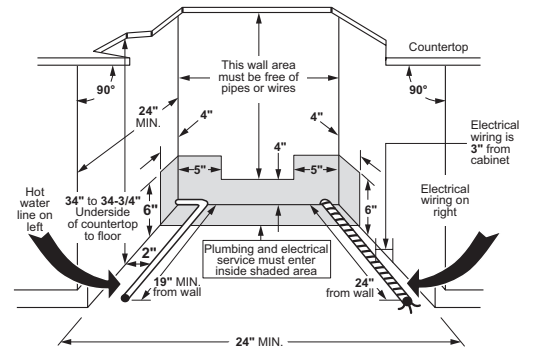
HDA2100H - DIMENSIONS (INCHES)



HDF310P - DIMENSIONS (INCHES)



HDA2100H / HDF310P - SPECIFICATIONS AND ELECTRICAL RATING



*Optional kit required (GPF10S) for installation 6-10 feet from sink.

120 Volts AC, 60 Hertz, 6.2 Amps total connected load 500-Watt Calrod® heater. For use on adequately wired 120-volt, 15-amp circuit having two-wire service with a separate ground wire. This appliance must be grounded for safe operation. Dishwasher must not be installed more than 10 feet from sink for proper drainage.* All plumbing and electrical work must be in accordance with local codes. Dishwasher includes drain hose and leveling legs.

ADA REQUIREMENTS*

REFRIGERATOR AND FREEZERS

Regulation #/Description:

4.2.6 Side Reach*—If the clear floor space allows parallel approach by a person in a wheelchair, the maximum high side reach allowed shall be 54" (1370 mm) and the low side reach shall be no less than 9 in. (230mm) above the floor. 4.27.4 Operation—Controls and operating mechanisms shall be operable with one hand and shall not require tight grasping, pinching, or twisting of the wrist. The force required to activate controls shall be no greater than 5lbf (22.2 N). 4.34.6.8 Refrigerator/Freezer—Refrigerator/freezers shall comply with 4.34.6.3. Provision shall be made for refrigerators which are: (1) Of the vertical side-by-side refrigerator/freezer type; OR (2) Of the over-and-under type and meet the following requirements: (a) Have at least 50 percent of the freezer space below 54" (1370 mm) above the floor. (b) Have 100 percent of the refrigerator space and controls below 54" (1370 mm).

FREE-STANDING RANGES—GAS & ELECTRIC

Regulation #/Description:

4.2.5—maximum high forward reach for controls and operating mechanisms is 48", minimum low forward reach is 15"; 4.27.4—controls and operating mechanisms must be operable with one hand and shall not require tight grasping, pinching, or twisting of the wrist. The force required to activate controls shall be no more than 5lbf; 4.34.6.6—if ovens or cooktops have knee spaces underneath then they shall be insulated or otherwise protected on the exposed surfaces to prevent burns, abrasions, or electrical shock. The location of controls for ranges and cooktops shall not require reaching across burners.



*ADA qualified based on Uniform Federal Accessibility Standards.

**ADA compliant in the built-in configuration.

MICROWAVE OVENS**

Regulation #/Description:

4.2.5—maximum high forward reach for controls and operating mechanisms is 48", minimum low forward reach is 15"; 4.27.4—controls and operating mechanisms must be operable with one hand and shall not require tight grasping, pinching, or twisting of the wrist. The force required to activate controls shall be no more than 5lbf.

DISHWASHERS

Regulation #/Description:

4.2.5—maximum high forward reach for controls and operating mechanisms is 48", minimum low forward reach is 15"; 4.27.4—controls and operating mechanisms must be operable with one hand and shall not require tight grasping, pinching, or twisting of the wrist. The force required to activate controls shall be no more than 5lbf; 4.34.6.9—all rack space shall be accessible from the front of the machine for loading and unloading dishes.

LAUNDRY

Regulation #/Description:

4.2.5—maximum high forward reach for controls and operating mechanisms is 48", minimum low forward reach is 15"; 4.2.6 Side Reach*—If the clear floor space allows parallel approach by a person in a wheelchair, the maximum high side reach allowed shall be 54" (1370 mm) and the low side reach shall be no less than 9" (230mm) above the floor; 4.27.4—controls and operating mechanisms must be operable with one hand and shall not require tight grasping, pinching, or twisting of the wrist. The force required to activate controls shall be no more than 5lbf; 4.34.7.2—washing machines and clothes dryers shall be front loading.

GE has a policy of continuous improvement of its products and reserves the right to change materials and specifications without notice.

LIMITED WARRANTY INFORMATION

(SEE WRITTEN WARRANTY FOR COMPLETE DETAILS.)

The condensed list below is a convenient overview of the written warranties offered on various Hotpoint® appliances described in this document for products manufactured on or after January 1, 2006. For complete warranty details on a specific appliance model, visit hotpoint.com or contact your nearest Hotpoint appliance reseller. Hotpoint is backed by GE Appliances Service and serviced by GE Appliances technicians. You can call GE Appliances Service at 1-800-GECares (1-800-432-2737)

REFRIGERATORS

FOR THE PERIOD OF	HOTPOINT WILL REPLACE
One year From the date of the original purchase	Any part in the refrigerator which fails due to a defect in materials or workmanship. During this limited one-year warranty, Hotpoint will provide, free of charge, all labor and related service costs to replace the defective part.

RANGES

FOR THE PERIOD OF	HOTPOINT WILL REPLACE
One year From the date of the original purchase	Any part in the cooking product which fails due to a defect in materials or workmanship. During this limited one-year warranty, Hotpoint will provide, free of charge, all labor and related service costs to replace the defective part.

MICROWAVE OVENS

FOR THE PERIOD OF	HOTPOINT WILL REPLACE
One year From the date of the original purchase	Any part in the microwave which fails due to a defect in materials or workmanship. During this limited one-year warranty, Hotpoint will provide, free of charge, all labor and related service costs to replace the defective part.

DISHWASHERS

FOR THE PERIOD OF	HOTPOINT WILL REPLACE
One year From the date of the original purchase	Any part in the dishwasher which fails due to a defect in materials or workmanship. During this limited one-year warranty, Hotpoint will provide, free of charge, all labor and related service costs to replace the defective part.

WASHERS

FOR THE PERIOD OF	HOTPOINT WILL REPLACE
One year From the date of the original purchase	Any part in the washer which fails due to a defect in materials or workmanship. During this limited one-year warranty, Hotpoint will provide, free of charge, all labor and related service costs to replace the defective part.

DRYERS

FOR THE PERIOD OF	HOTPOINT WILL REPLACE
One year From the date of the original purchase	Any part in the dryer which fails due to a defect in materials or workmanship. During this one-year warranty, Hotpoint will provide, free of charge, all labor and related service costs to replace the defective part.

COMFORT PRODUCTS

FOR THE PERIOD OF	HOTPOINT WILL REPLACE
One year From the date of the original purchase	Any part of the air conditioner which fails due to a defect in materials or workmanship. During this one-year warranty, Hotpoint will provide, free of charge, all labor and related service costs to replace the defective part.
Two to Five years From the date of the original purchase	Any part of the sealed refrigerating system (the compressor, condenser, evaporator and all tubing and the makeup air system) which fails due to a defect in materials or workmanship. During this limited two-to-five-year limited warranty, Hotpoint will provide, free of charge, all labor and related service costs to replace the defective part.
Five years From the date of the original purchase	Any part for fan motors, switches, heater, heater protectors, compressor overload, solenoids, circuit boards, auxiliary controls, thermistors, freeze sentinel, frost controls, ICR pump, capacitors, varistors and indoor blower bearing, if this part fails due to a defect in materials or workmanship. During this limited five-year warranty, Hotpoint will provide, free of charge, a replacement part; the customer will be responsible for any labor and related service costs.

PARTS AND ACCESSORIES

FOR THE PERIOD OF	HOTPOINT WILL REPLACE
One year From the date of the original purchase	If your GEA part fails because of a manufacturing defect within one year from the date of original purchase, we will provide a new or, at our option, rebuilt part without charge. Return the defective part to the vendor from whom it was purchased with a copy of the "proof of purchase." If the part is defective it will be exchanged. This warranty does not cover parts which are improperly installed, damaged, abused or used for other than the intended purpose. It does not include cost of returning the part to the vendor from which it was purchased, labor to remove, install or diagnose the failure, parts used in commercial applications, incidental or consequential damage caused by possible defects with the parts.

EXCLUSION OF IMPLIED WARRANTIES — Your sole and exclusive remedy is product repair as provided in this Limited Warranty. Any implied warranties, including the implied warranties of merchantability or fitness for a particular purpose, are limited to one year or the shortest period allowed by law.

ICON LEGEND



GE appliances help you conserve energy and save money. We have been an ENERGY STAR® Partner since 2001. We are committed to creating energy-efficient, high-performance household appliances.

As an ENERGY STAR partner, GE Appliances has determined that the appliances marked with the ENERGY STAR logo meet the ENERGY STAR guidelines for energy efficiency.

Before purchasing an ENERGY STAR certified appliance, read important information about its estimated annual energy consumption or energy-efficiency rating available from your retailer, geappliances.com or energystar.gov.



Compliant with the Americans With Disabilities Act



Appliances with this icon are Made in America and contain 70 to 90% U.S. content. Product content details at geappliances.com/USA

PARTS AND ACCESSORIES

STAINLESS STEEL MAINTENANCE

Cerama Bryte® Stainless Steel Wipes, 35-count	WX10X10004
Cerama Bryte Stainless Steel Cleaner & Polisher, 16 oz.	PM10X311
Cerama Bryte microfiber cleaning cloths, 2-pack	WX10X307
Cerama Bryte Stainless Steel Polish Kit	WX10X33765
Includes 8-oz cleaner/polisher + microfiber cloth	

REFRIGERATION

GE icemaker kit	IM6D
Ice machine cleaner	WX08X42870
Freezer utility shelf	WR71X2086
Braided Pex icemaker water line, 12' length	WX08X10012
Pex icemaker water line, 8' length	WX08X10008
Pex icemaker water line, 15' length	WX08X10015
Appliance brush set, 2 brushes	PM14X10056
Cerama Bryte refrigerator cleaner	WX10X10206
40-watt appliance light bulbs, 2-pack	40A15-2PK

COOKING

Cerama Bryte complete cooktop kit	WX10X10020
Cerama Bryte gas grate cleaning kit	WX10X10021
Universal 4' gas range installation kit	PM15X103
Cerama Bryte cooktop scraper	WX10X302
Cerama Bryte microfiber cleaning cloths, 2-pack	WX10X307
Cerama Bryte burnt-on grease remover	WX10X320
Cerama Bryte cleaning pads, 4-pack	WX10X350
Cerama Bryte Touchups spray	WX10X391
Broiler pan/rack set (12-3/4" x 16-1/2")	WB48X10056
4' 4-wire 40-amp electrical range cord	WX09X10035
4' 3-wire 40-amp electrical range cord	WX09X10006
Cerama Bryte glass-ceramic cooktop cleaner	WX10X300
Cerama Bryte ceramic cooktop scraper and pad	PM10X304

MICROWAVE OVENS

Cerama Bryte appliance cleaner	WX10X392
--------------------------------	----------

DISHWASHERS

Universal dishwasher installation kit	PM28X329
12' Universal Dishwasher Connector Kit with Adapter	WX28X327
Dishwasher Power Cord, 5' 4"	WX09X70910
Dishwasher Power Cord, 7' 9"	WX09X70911
Dishwasher Bracket Kit for Non-wooden Countertops	WX13X10001
10' Dishwasher Drain Hose	WX28X321
Finish® Dishwasher Cleaner, 8.45 oz.	WX10X10209
Finish Jet-Dry® Rinse Aid, 16 oz.	WX10X10210
Finish Dishwasher Detergent Booster, 14 oz.	WX10X10022

Cerama Bryte is a registered trademark of Cerama Bryte, Inc.
Finish is a registered trademark of Reckitt Benckiser Group.

CLOTHES CARE

6' length universal stainless steel washer hoses with 90° elbow, 2-pack	WX14X10011
4' stainless steel washer hose, 2-pack	WX14X10005
4' rubber washer hose, 2-pack	WH41X10207
Appliance brush set, 2 brushes	PM14X10056
Universal flexible metal dryer duct kit 8'; includes 2 spring clamps	PM08X10085
Universal 4' gas dryer installation kit	PM15X104
6' 4-wire 30-amp electrical dryer cord	WX09X10020
6' 3-wire 30-amp electrical dryer cord	WX09X10004
Cerama Bryte washer cleaner, 4 uses	WX10X312
Anti-vibration pads, 4 pad set	WX17X10001CA
Dryer rack	WE1M1038 WE01X20677 WE01X22274
Low-profile universal washer floor tray	PM7X2-White PM7X3-Metallic carbon

COMFORT PRODUCTS

Hotpoint SnapEase Wall Sleeve	RAB80
Hotpoint Grille	RAG70
Hotpoint Filter, 2-pack	RAA70
Hotpoint Curtain Guard	RAK44
Hotpoint Wall Thermostat	RAK148H2

WARRANTY INFORMATION

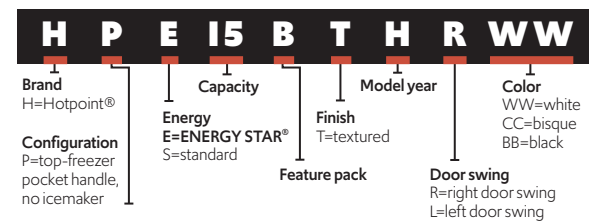
All parts and accessories have a limited one-year warranty, with the exception of water filters, which have a 30-day warranty.

LIMITED ONE-YEAR WARRANTY

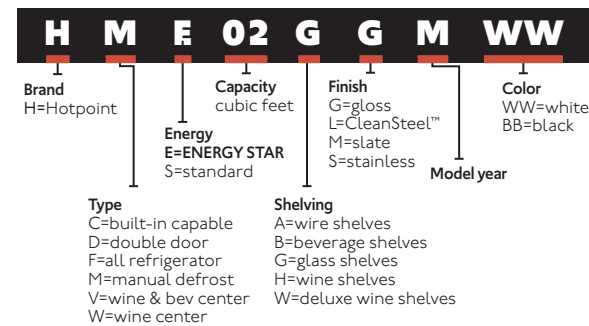
If your GEA part fails because of a manufacturing defect within one year from the date of original purchase, we will provide a new or, at our option, rebuilt part without charge. Return the defective part to the vendor from whom it was purchased with a copy of the "proof of purchase." If the part is defective it will be exchanged. This warranty does not cover parts which are improperly installed, damaged, abused or used for other than the intended purpose. It does not include cost of returning the part to the vendor from which it was purchased, labor to remove, install or diagnose the failure, parts used in commercial applications, incidental or consequential damage caused by possible defects with the parts.

NOMENCLATURE

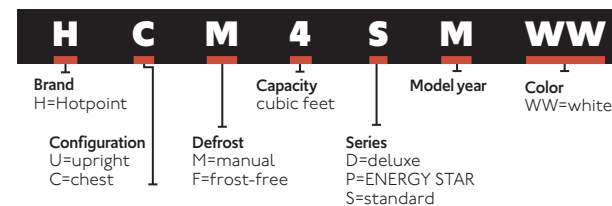
TOP-FREEZER REFRIGERATORS



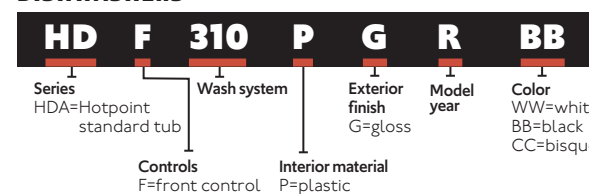
COMPACT REFRIGERATORS



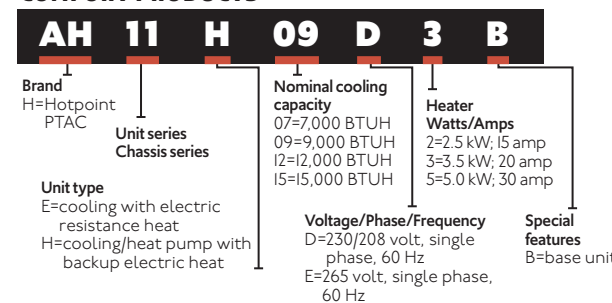
FREEZERS



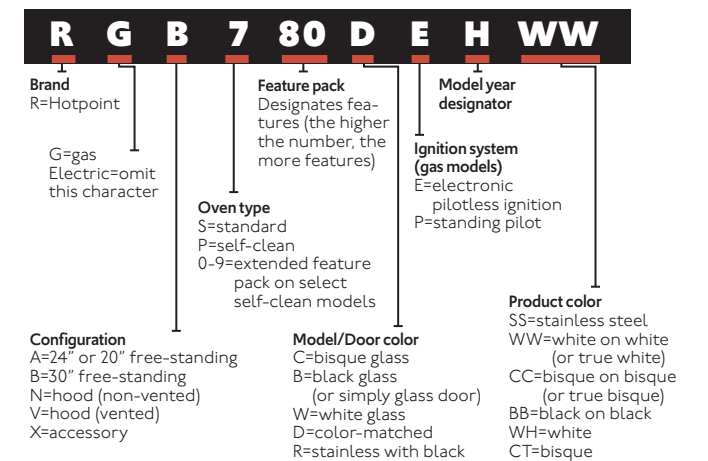
DISHWASHERS



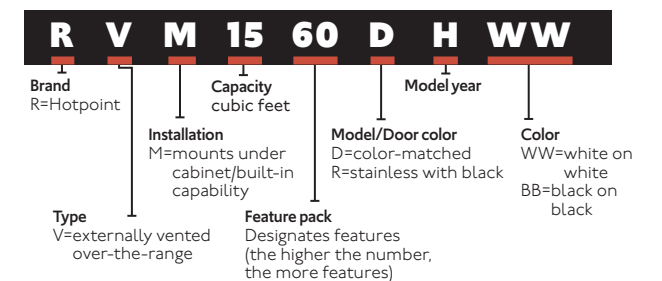
COMFORT PRODUCTS



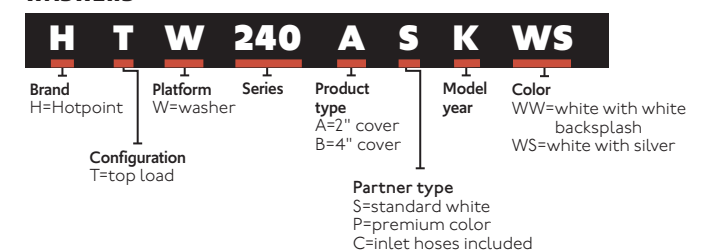
RANGES



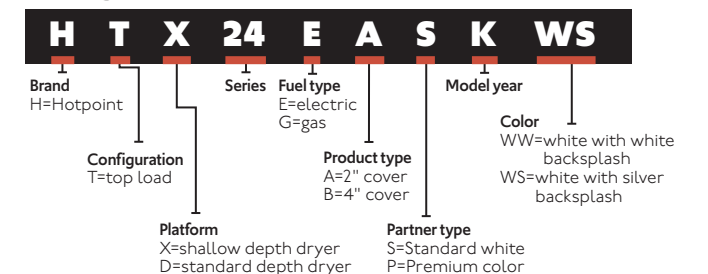
OVER-THE-RANGE MICROWAVE OVENS



WASHERS



DRYERS

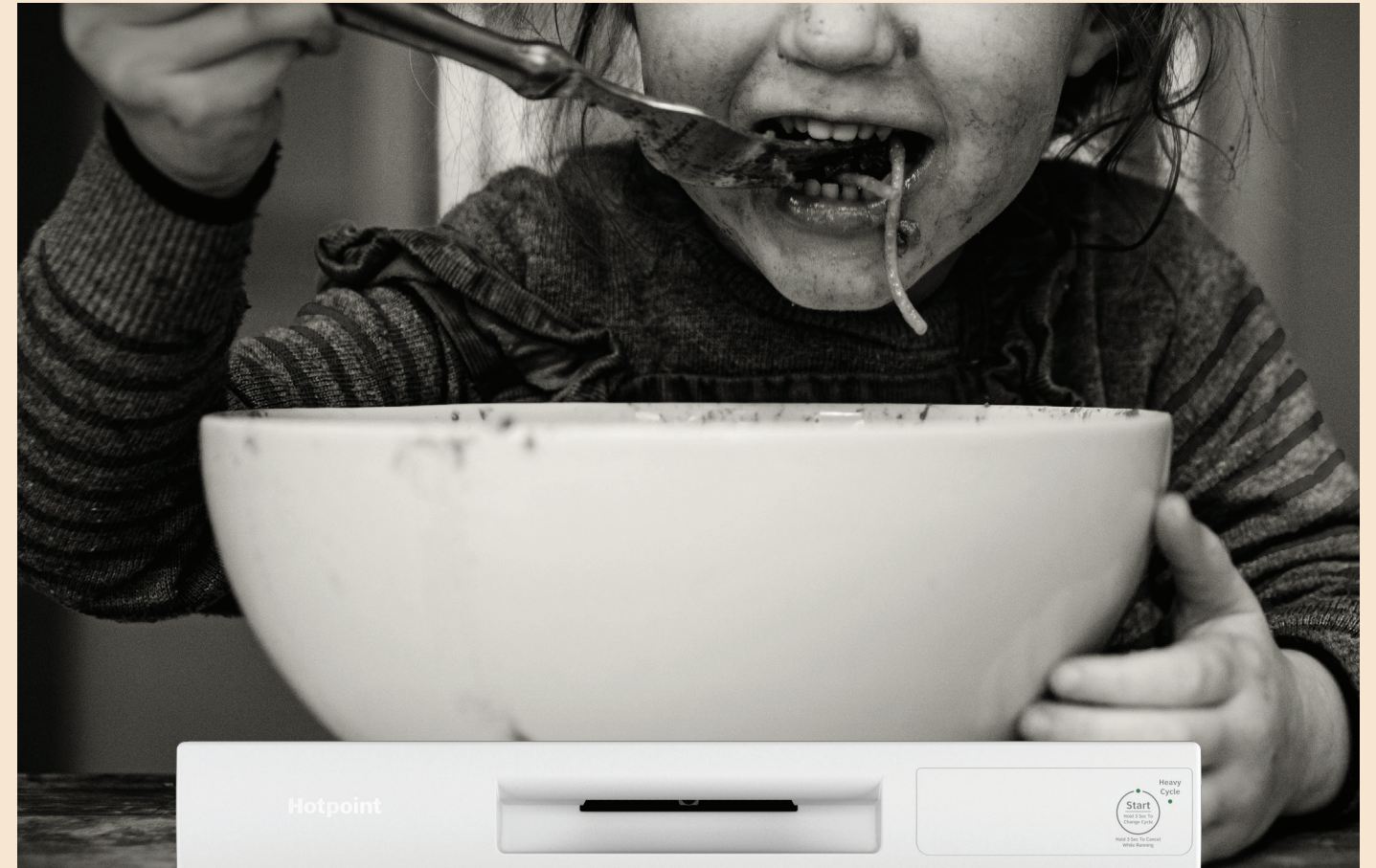


BUILT FOR PROS.

Hotpoint® appliances are perfect for property managers. Every product is designed and tested to withstand anything tenants can dish out, and they're backed by GE Appliances' industry-leading customer service, dedicated factory service and nation-wide distribution network.



See why tough appliances are an easy choice at Hotpoint.com/pro today.



Hotpoint


Heavy Cycle Start

TOUGHER ◆ THAN ◆ TENANTS

Hotpoint® appliances are built to stand up to use and abuse, while still offering the convenient features renters want.

Hotpoint.

America's hardest working appliances.



Scan to partner with us

If you need us, we're here.

Our goal is to ensure your satisfaction, while offering the highest levels of professional service at affordable and competitive rates.

ONLINE RESOURCES

Hotpoint.com – Schedule service, get model information or browse our products

GEAppliances.com – Check out GE's entire appliance selection

GEAppliancesCustomerNet.com – Place orders and check pricing, availability, product specifications and more

BY PHONE

GE Cares – A nationwide network of sales professionals and service technicians wholly dedicated to the builder community. 1-800-GEcares (1-800-432-2737)

GE Answer Center® – Save time by getting answers on product features. 1-800-626-2005

Hotpoint®

America's hardest working appliances.